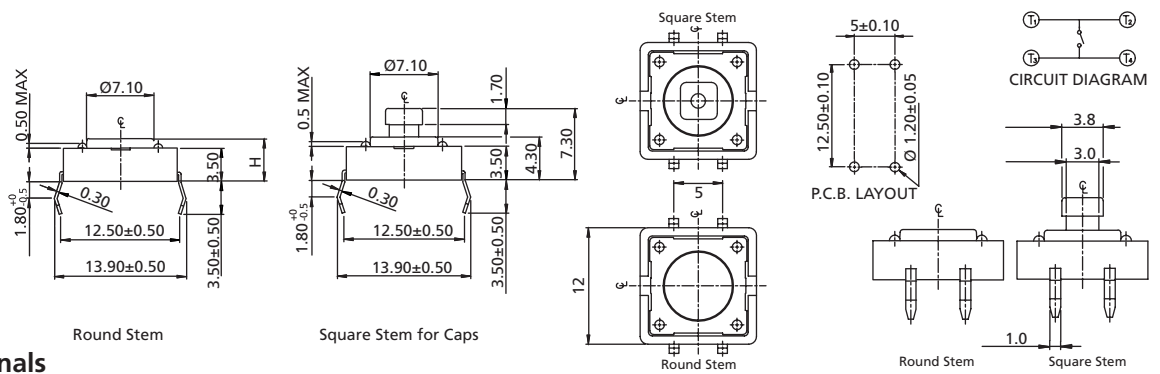


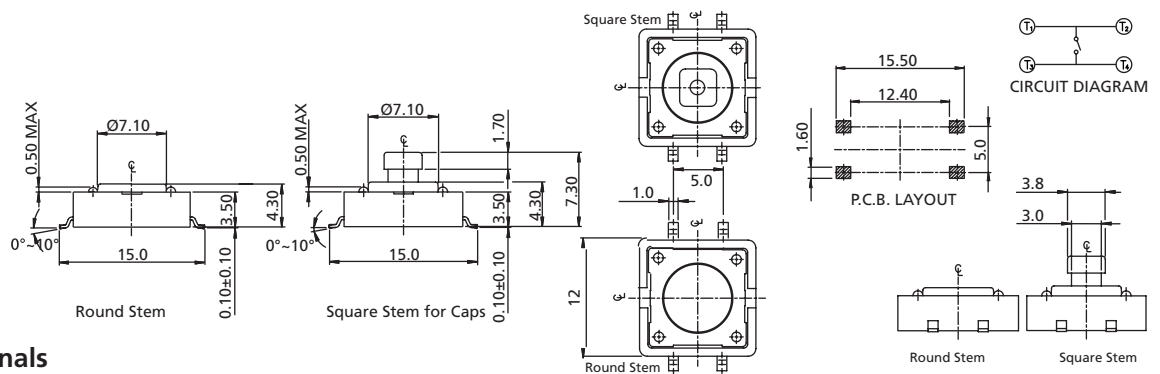
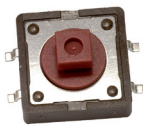
# Tactile Switches

## Standard 12 x 12 mm Tactile Switches

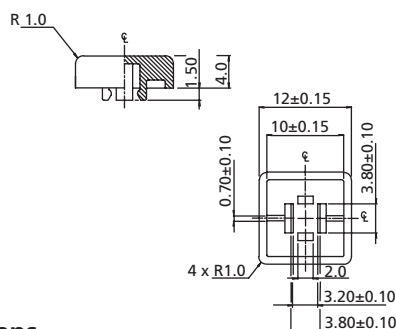
## TP4 Series



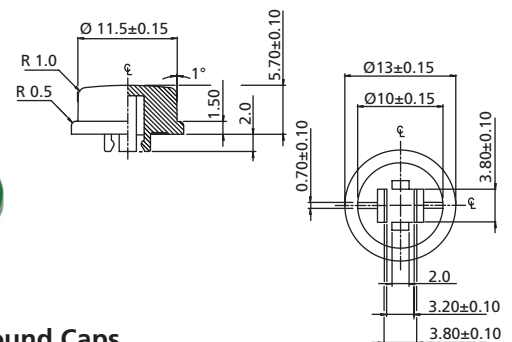
**TP4H** THT Terminals



**TP4S** SMT Terminals



**K12S** Square Caps



**K12R** Round Caps

### How to order:

TP4     +   (Caps)

#### 1 TYPE OF TERMINALS:

- H THT
- S SMT

#### 2 Dimension H:

- 1 H=4.3mm (Round Stem)
- 4 H=7.3mm (Square Stem 3.8mm)
- 5 H=8.5mm (Round Stem)

#### 3 STEM COLOR & OPERATING FORCE:

- AK Black & 160±50gf
- K Brown & 160±50gf
- C Red & 260±50gf
- J Salmon & 320±80gf

#### 4 PACKAGE STYLE:

- BK Bulk Pack (TP4H Only)
- TB Tube
- TR Tape & Reel (TP4S Only)

#### Optional:

#### 5 CAP TYPE (Only for Square Stems):

- K12S Square Caps
- K12R Round Caps

#### 6 COLOR OF CAPS:

- A Black
- B Ivory
- C Red
- E Yellow
- F Green
- G Blue
- H Gray
- S Salmon

### General Specifications:

#### MATERIALS

- » Contact Disc: Phosphor Bronze with silver cladding
- » Terminal: Brass with silver plated

#### MECHANICAL

- » Stroke: 0.35 ± 0.1 mm
- » Operation Temperature: -25°C to +70°C
- » Storage Temperature: -30°C to +80°C

#### ELECTRICAL

- » Electrical Life: 100,000 cycles for 320gf & 260gf  
200,000 cycles for 160gf
- » Rating: 50mA, 12VDC
- » Contact Arrangement: 1 pole 1 throw

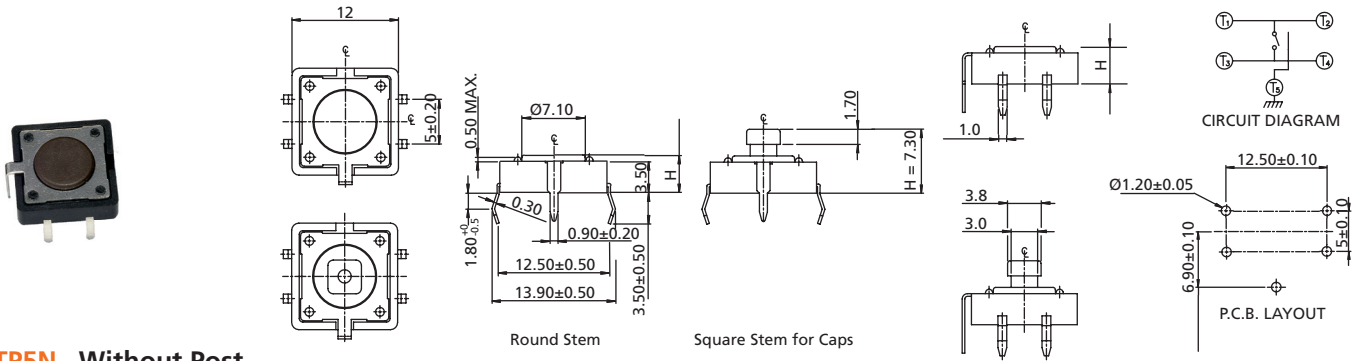
#### LEADFREE SOLDERING PROCESSES

- » Wave Soldering: Recommended solder temperature at 260°C max. 5 seconds subject to PCB 1.6mm thickness (for THT).
- » Reflow Soldering: When applying reflow soldering, the peak temperature or the reflow oven should be set to 260°C max. 10 seconds (for SMT).

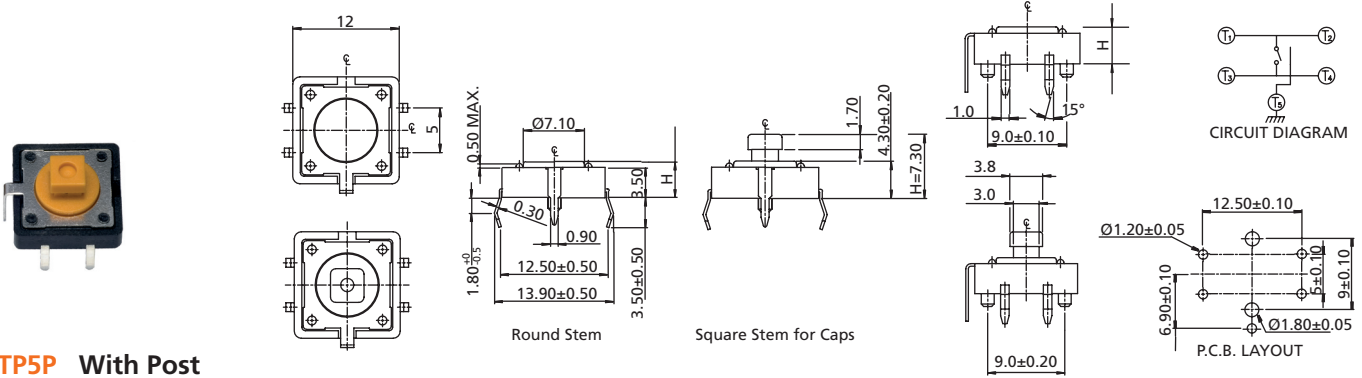
General Tolerance: ± 0.2 mm

# Tactile Switches

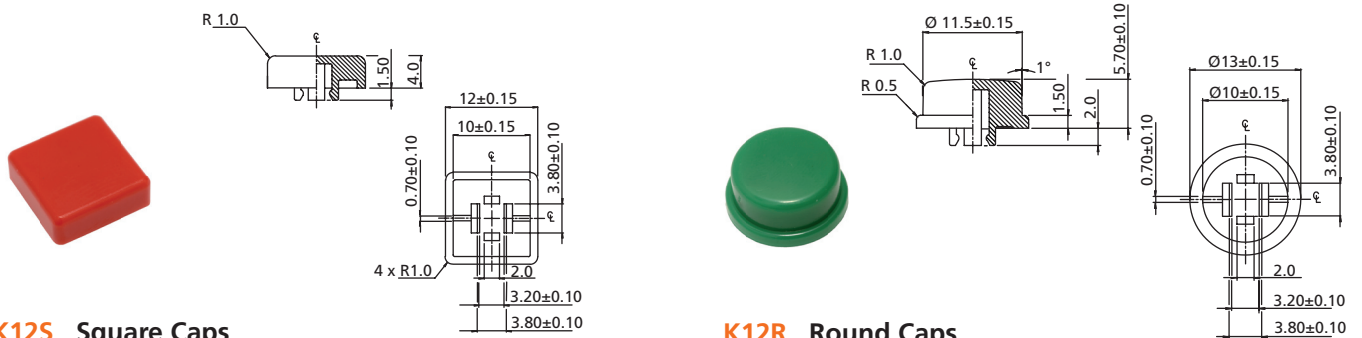
## 12 x 12 mm THT Tactile Switches with Ground Terminal TP5 Series



**TP5N Without Post**



**TP5P With Post**



**K12S Square Caps**

**K12R Round Caps**

### How to order:

TP5     +   (Caps)

- 1 TYPE OF TACTILE SWITCH:**
  - N** With Ground Terminal, without Post (Standard)
  - P** With Ground Terminal, with Post
- 2 Dimension H:**
  - 1** H=4.3mm (Round Stem)
  - 4** H=7.3mm (Square Stem 3.8mm)
  - 5** H=8.5mm (Round Stem)
- 3 STEM COLOR & OPERATING FORCE:**
  - K** Brown & 160±50gf
  - C** Red & 260±50gf
  - J** Salmon & 320±80gf
- 4 PACKAGE STYLE:**
  - BK** Bulk Pack

- Optional:**
- 5 CAP TYPE (For Square Stems Only):**
  - K12S** Square Caps
  - K12R** Round Caps
- 6 COLOR OF CAPS:**
  - A** Black
  - B** Ivory
  - C** Red
  - E** Yellow
  - F** Green
  - G** Blue
  - H** Gray
  - S** Salmon

### General Specifications:

- MATERIALS**
  - » Contact Disc: Phosphor Bronze with silver cladding
  - » Terminal: Brass with silver plated
- MECHANICAL**
  - » Stroke: 0.35 ± 0.1 mm
  - » Operation Temperature: -25°C to +70°C
  - » Storage Temperature: -30°C to +80°C
- ELECTRICAL**
  - » Electrical Life: 100,000 cycles for 320gf & 260gf  
200,000 cycles for 160gf
  - » Rating: 50mA, 12VDC
  - » Contact Arrangement: 1 pole 1 throw
- LEADFREE SOLDERING PROCESSES**
  - » Wave Soldering: Recommended solder temperature at 260°C max. 5 seconds subject to PCB 1.6mm thickness.

General Tolerance: ± 0.2 mm