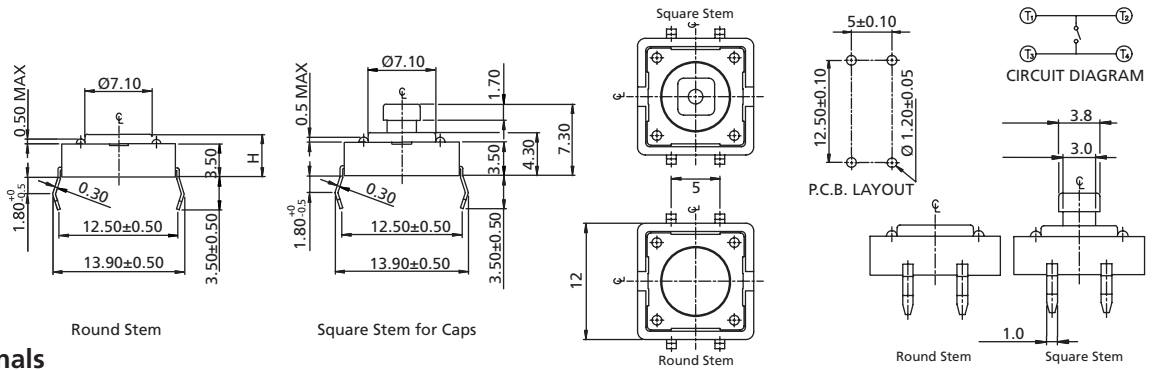


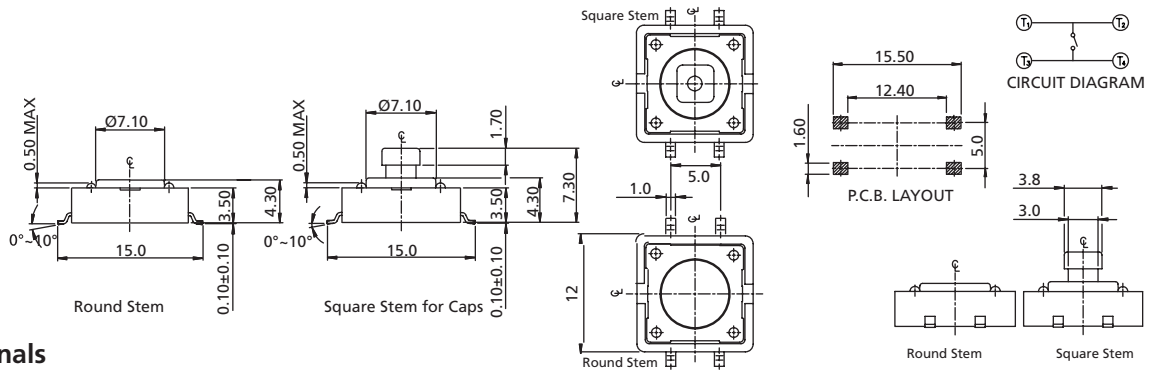
Tactile Switches

Standard 12 x 12 mm Tactile Switches

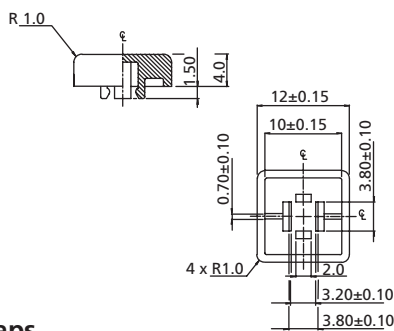
TP4 Series



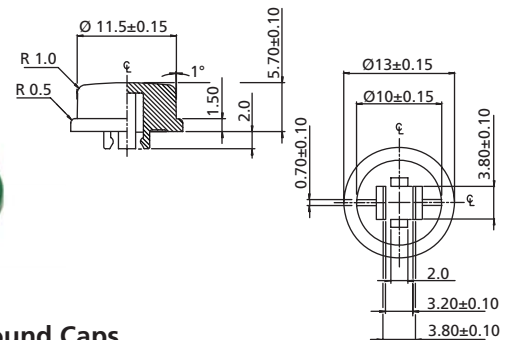
TP4H THT Terminals



TP4S SMT Terminals



K12S Square Caps



K12R Round Caps

How to order:

TP4 + (Caps)

1 TYPE OF TERMINALS:

H THT
S SMT

2 POST (TP4H only)

No Code Without Post
P With Post

3 DIMENSION "H":

1 H=4.3mm (Round Stem)
4 H=7.3mm (Square Stem 3.8mm)
5 H=8.5mm (Round Stem)

Individual stem heights available by request

4 STEM COLOR & OPERATING FORCE:

K Brown & 160±50gf
C Red & 260±50gf
J Salmon & 320±80gf
E Yellow & 520±130gf

5 MATERIALS OF DOME:

N Phosphor Bronze Dome
S Stainless Steel Dome (Only for 160gf & 260gf)

6 PACKAGE STYLE:

BK Bulk Pack (TP4H Only)
TB Tube
TR Tape & Reel (TP4S Only)

Optional:

7 CAP TYPE (Only for Square Stems):

K12S Square Caps
K12R Round Caps

8 COLOR OF CAPS:

A Black
B Ivory
C Red
E Yellow
F Green
G Blue
H Gray
S Salmon

General Specifications:

MATERIALS

» Contact Disc: Phosphor Bronze with silver cladding
» Terminal: Brass with silver plated

MECHANICAL

» Stroke: 0.35 ± 0.1 mm
» Operation Temperature: -25°C to +70°C
» Storage Temperature: -30°C to +80°C

ELECTRICAL

» Electrical Life:
Phosphor Bronze Dome:
100,000 cycles for 520gf, 320gf & 260gf
200,000 cycles for 160gf
Stainless Steel Dome:
500,000 cycles for 260gf
1,000,000 cycles for 160gf
» Rating: 50mA, 12VDC
» Contact Arrangement: 1 pole 1 throw

LEADFREE SOLDERING PROCESSES

» Wave Soldering: Recommended solder temperature at 260°C max. 5 seconds subject to PCB 1.6mm thickness (for THT).
» Reflow Soldering: When applying reflow soldering, the peak temperature or the reflow oven should be set to 260°C max. 10 seconds (for SMT).

General Tolerance: ± 0.2 mm