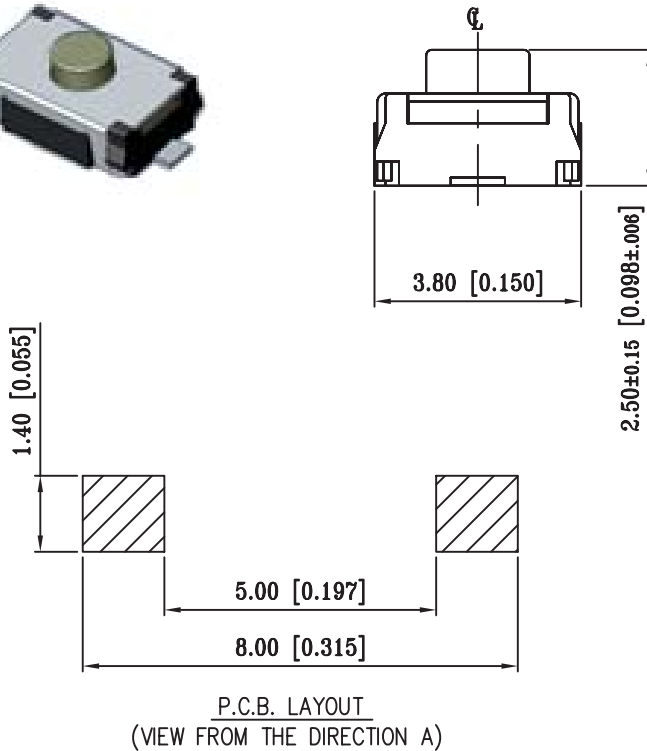


Tactile Switches

3.8x6 mm SMT Tactile Switch

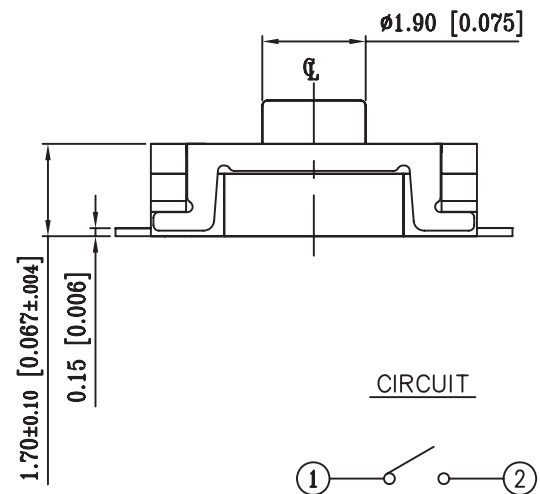
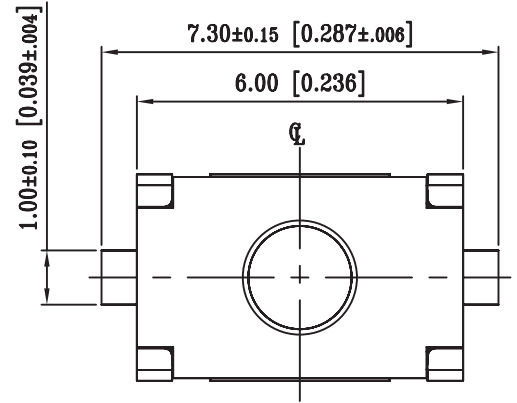
TP25 Series



NOTE:

1. ALL DIMENSIONS ARE IN MILLIMETERS.
BRACKETED DIMENSIONS ARE IN INCHES.
2. GENERAL TOLERANCES $\pm 0.2\text{mm}$
3. MECHANICAL:

Type	Operation Force	Operation Life	Travel	Contact Material
TP25KAGTR	200gf	200,000	0.30 ± 0.15	Silver
TP25CAGTR	300gf	200,000	0.35 ± 0.15	Silver
TP25JAGTR	400gf	100,000	0.45 ± 0.15	Silver
TP25KAUTR	200gf	200,000	0.30 ± 0.15	Gold
TP25CAUTR	300gf	200,000	0.35 ± 0.15	Gold
TP25JAUTR	400gf	100,000	0.45 ± 0.15	Gold



4. ELECTRICAL:

- Switch Rating: 50 mA 12 V
 Contact Resistance: 100 m Ω MAX
 Insulation Resistance: DC 100V 100 M Ω MIN

How to order:

TP25 1 2 3

1 OPERATING FORCE:

- K 200gf
 C 300gf
 J 400gf

2 DOME PLATING MATERIAL:

- AG Silver
 AU Gold

3 PACKAGE STYLE:

- TR Tape & Reel

