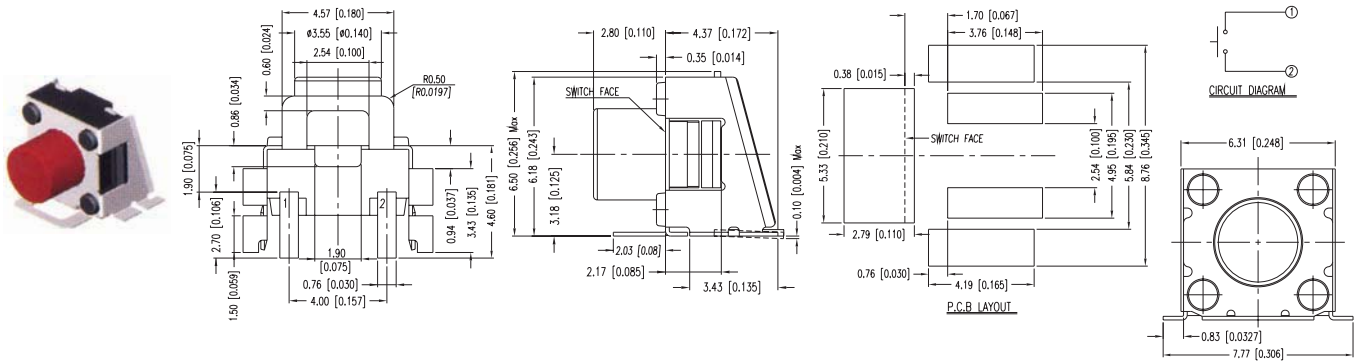


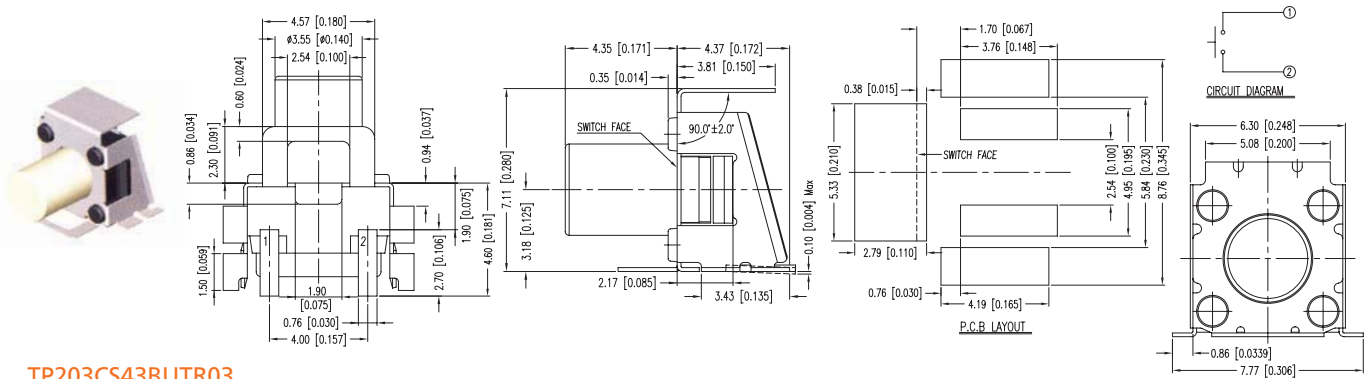
Tactile Switches

6x6 mm Right Angle Type with Supporting Terminal & Tab Available

TP203C Series



TP203CS28CNTR03



TP203CS43BUTR03

How to order:

TP203C



1 TYPE OF TERMINALS:

S Right Angle SMT Type

2 HEIGHT OF ACTUATOR:

43 4.35mm
28 2.80mm
23 2.30mm
40 4.00mm

3 COLOR OF STEM & OPERATING FORCE:

B White Stem 185±50gf
C Red Stem 260±50gf

4 TAB:

N Without Tab
U Tab for auto-dipping

5 PACKAGE:

TR Tape & Reel

6 ROHS:

03 RoHS & Lead Free Solderable

General Specifications:

MATERIALS

- » Cover: Stainless steel
- » Contact: Stainless steel with silver plating.
- » Terminal: Brass with silver plating.
- » Stem: Nylon High-temp Thermoplastic
Color: White<180gf>; Red<260gf>
- » Seal: Silicone Rubber
- » Block: Nylon High-temp Thermoplastic
- » Base: LCP High-temp Thermoplastic

MECHANICAL

- » Operation Force: 180±50gf(White);260±50gf(Red)
- » Stroke: 0.15mm Min
- » Operation Temperature Range: -25°C to +70°C
- » Storage Temperature Range: -30°C to +80°C

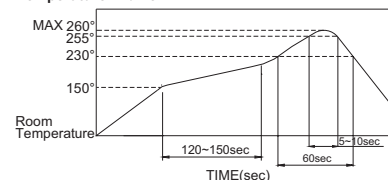
ELECTRICAL

- » Electrical Life: 200,000 cycles
- » Rating: 1.5 mA, 5 VDC
- » Contact Resistance: 100 mΩ max.
- » Insulation Resistance: 100MΩ min. at 500 VDC
- » Dielectric Strength: 250V AC / 1 minute
- » Contact Arrangement: 1 pole 1 throw

SOLDERING PROCESS

- » Hand Soldering: Use a soldering iron of 30 watts, controlled at 350°C approximately 5 seconds while applying solder.
- » Reflow Soldering: When applying reflow soldering, the peak temperature or the reflow over should be set to 260°C max

Temperature Profile :



General Tolerance: ±0.2mm