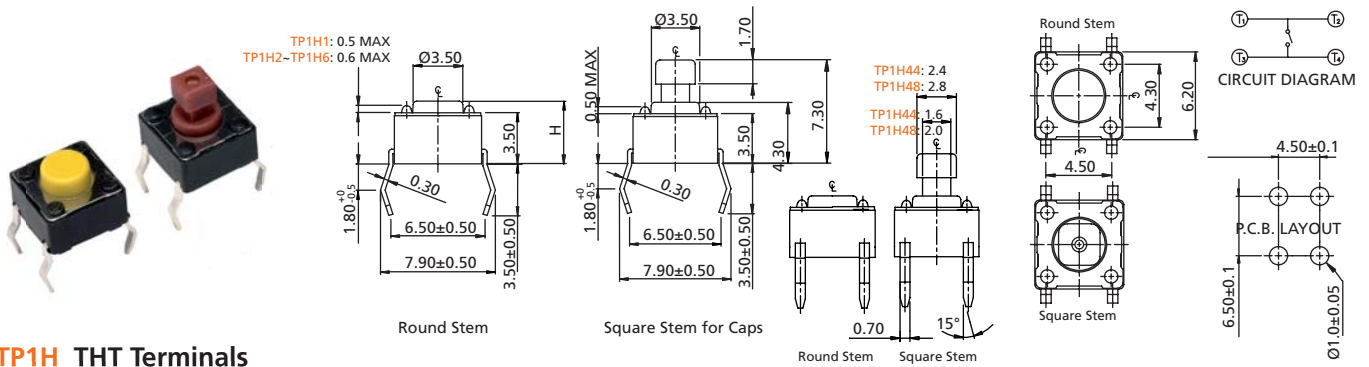


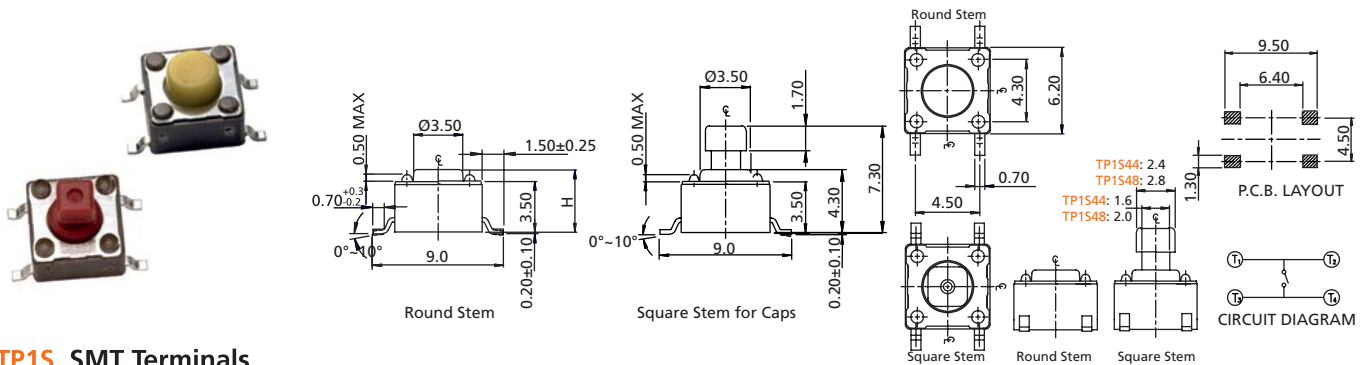
# Tactile Switches

## Standard 6 x 6 mm Tactile Switches

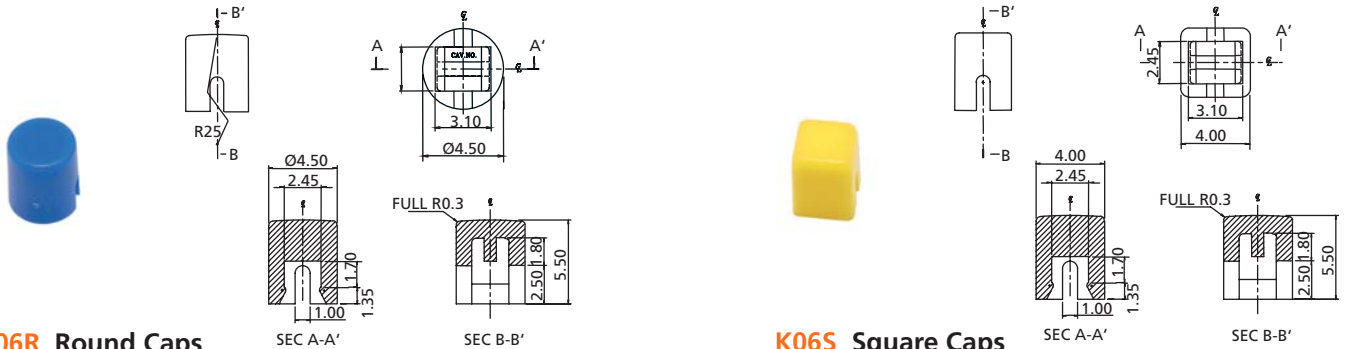
## TP1 Series



**TP1H THT Terminals**



**TP1S SMT Terminals**



**K06R Round Caps**

**K06S Square Caps**

### How to order:

TP1      +   (Caps)

#### 1 TYPE OF TERMINALS:

H THT  
S SMT

#### 2 DIMENSION "H":

1 H=4.3mm (Round Stem)  
2 H=5.0mm (Round Stem)  
3 H=7.0mm (Round Stem)  
44 H=7.3mm (Square Stem 2.4mm)  
48 H=7.3mm (Square Stem 2.8mm)  
5 H=9.5mm (Round Stem)  
6 H=13.0mm (Round Stem)

Individual stem heights available by request

#### 3 STEM COLOR & OPERATING FORCE:

A Black & 100±50gf  
K Brown & 160±50gf  
C Red & 260±50gf  
J Salmon & 320±80gf  
E Yellow & 520±130gf

#### 4 MATERIAL OF DOME:

Blank Phosphor Bronze Dome  
S Stainless Steel Dome

#### 5 PACKAGE STYLE:

BK Bulk Pack  
TB Tube (TP1S, TP1H1 & TP1H2 only)  
TR Tape & Reel (TP1S only)

#### Optional:

#### 6 CAP TYPE (Only for Square Stems):

K06S Square Caps  
K06R Round Caps

#### 7 COLOR OF CAPS:

A Black  
B Ivory  
C Red  
E Yellow  
F Green  
G Blue  
H Gray  
S Salmon

### General Specifications:

#### MATERIALS

» Contact Disc: Phosphor Bronze with silver cladding  
» Terminal: Brass with silver plated

#### MECHANICAL

» Stroke: 0.25 (+0.2/-0.1) mm  
» Operation Temperature: -25°C to +70°C  
» Storage Temperature: -30°C to +80°C

#### ELECTRICAL

» Electrical Life (Phosphor Bronze Dome):  
50,000 cycles for 320gf, 520gf  
100,000 cycles for 260gf  
200,000 cycles for 100gf, 160gf  
» Electrical Life (Stainless Steel Dome):  
300,000 cycles for 320gf, 520gf  
500,000 cycles for 260gf  
1,000,000 cycles for 100gf, 160gf  
» Rating: 50mA, 12VDC  
» Contact Arrangement: 1 pole 1 throw

#### LEADFREE SOLDERING PROCESSES

» Wave Soldering: Recommended solder temperature at 260°C max. 5 seconds subject to PCB 1.6mm thickness (for THT).  
» Reflow Soldering: When applying reflow soldering, the peak temperature or the reflow oven should be set to 260°C max. 10 seconds max. (for SMT).

General Tolerance: ± 0.2 mm

# Tactile Switches

## Standard 6 x 6 mm Tactile Switches

## TP1 Series

### MATERIAL

Base:	UL94V-0 Nylon Thermoplastic (TP1H) UL94V-0 Nylon High-Temp. Thermoplastic (TP1S)
Cover:	Stainless steel
Stem:	UL94V-0 Nylon Thermoplastic (TP1H) UL94V-0 Nylon High-Temp. Thermoplastic (TP1S) Color: Black(100gf) , Brown(160gf) , Red(260gf) , Salmon(320gf) , Yellow(520gf)
Contact Disc:	Phosphor bronze with silver cladding (TP1H) Stainless Steel (TP1S)
Terminal:	Brass with silver plated

### ADDITIONAL ELECTRICAL SPECIFICATIONS

Contact Resistance:	100mΩ max.
Insulation Resistance:	100MΩ min. 500VDC
Dielectric Strength:	250 VAC / 1 minute

### SOLDERING PROCESS

TP1H:

WAVE SOLDERING: Recommended solder temperature at 500°F(260)max. 5 seconds subject to PBC 1.6mm thickness ( For through hole type )

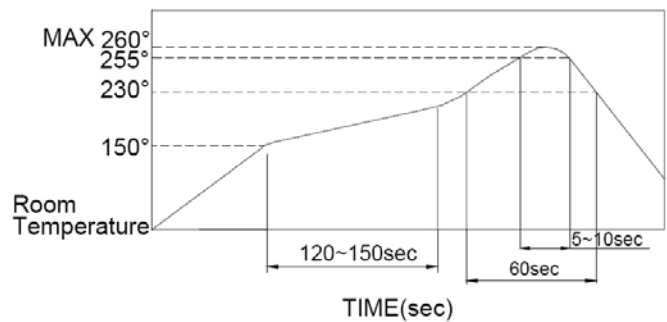
Hand soldering: Use a soldering iron of 30 watts controlled at 350°C approximately max 5 seconds while applying solder.

TP1S:

HAND SOLDERING : Use a soldering iron of 30 watts, controlled at 350 approximately 5 seconds while applying solder.

REFLOW SOLDERING: When applying reflow soldering, the peak temperature or the reflow oven should be set to 260°C max.

Reflow Temperature Profile: (reference)



### PACKING UNIT

Partnumber	No. / Bag	Partnumber	No. / Tube	Partnumber	No. / Reel
TP1H_ _BK	1000	TP1H1_TB	77	TP1S1_TR	1000
		TP1H2_TB	77	TP1S2_TR	900
		TP1S1_TB	77	TP1S3_TR	700
		TP1S2_TB	77	TP1S44_TR	500
		TP1S3_TB	77	TP1S48_TR	500
		TP1S44_TB	77	TP1S5_TR	380
		TP1S48_TB	77		
		TP1S5_TB	77		
		TP1S6_TB	77		