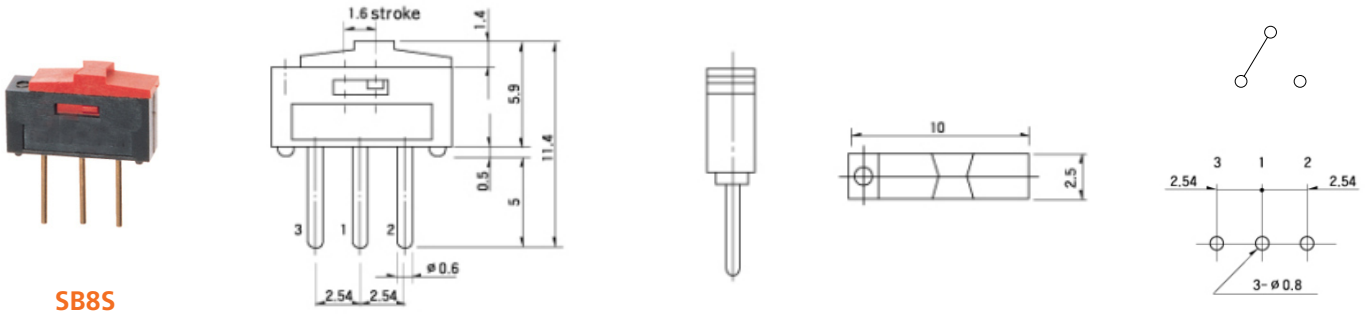


# Slide Switches

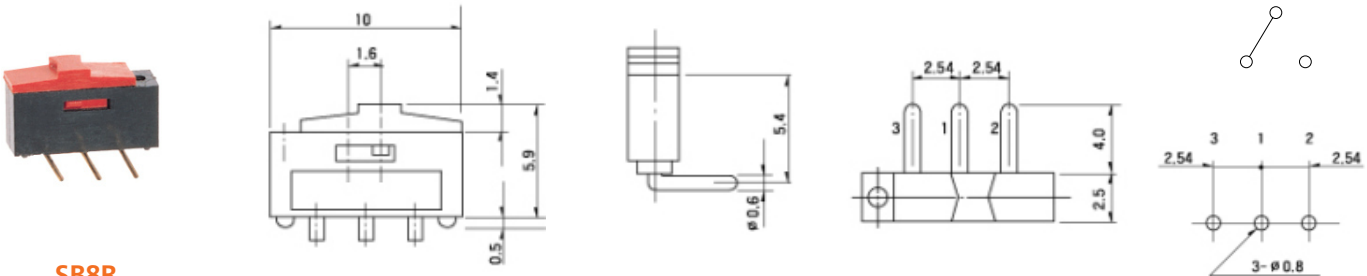
## Mini Slide Switches / Attenuator

## SB8 Series

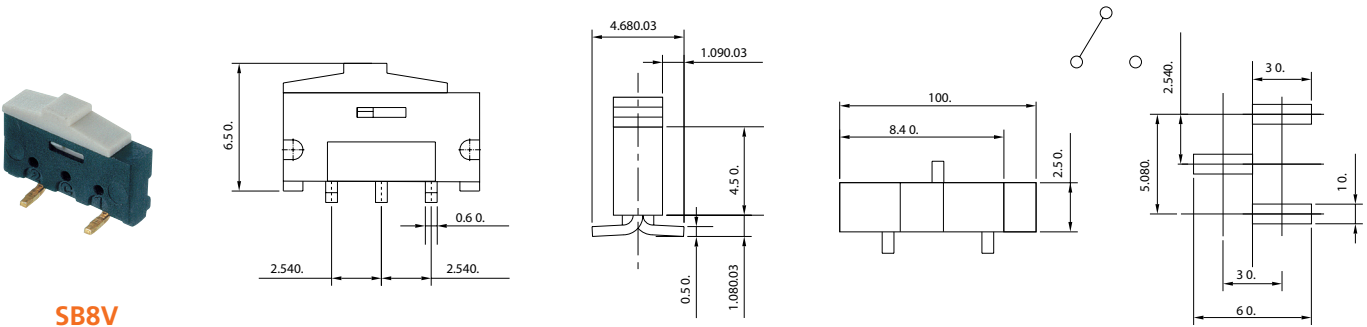
Slide Switches



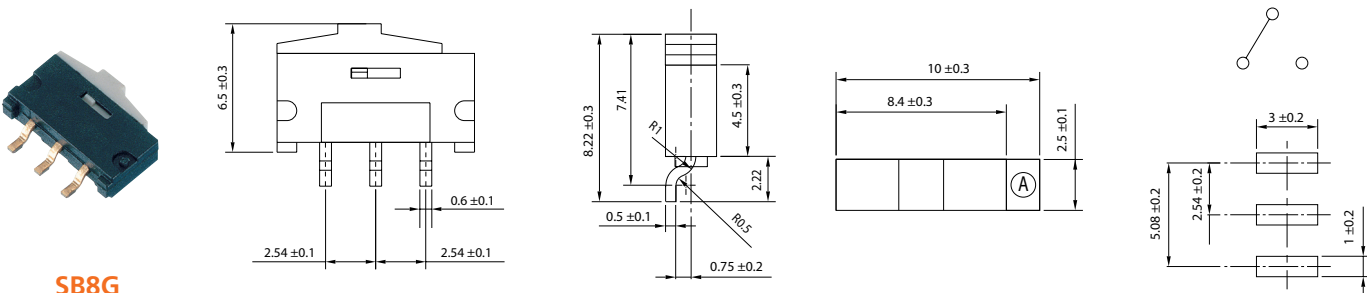
**SB8S**



**SB8R**



**SB8V**



**SB8G**

### How to order:

**SB8** 1

- 1** **TERMINAL TYPE:**
- S** Straight Type
- R** Right Angle Type
- V** Stand V-Type Surface Mount
- G** Gull Wing Type Surface Mount

### General Specifications:

#### RATING

- » SB8S & SB8R: 0.5A, DC 12V ~ 0.3A, DC 24V
- » SB8V & SB8G: 0.2A, 24VDC; 0.5A, 12VDC (Minimum Contact Rating 1 mA, 10mV)

#### CONTACT RESISTANCE

- » 30mΩ max.

#### INSULATION RESISTANCE (SB8V & SB8G)

- » 10000MΩ min. under 500 VDC

#### OPERATING LIFE & TEMPERATURE

- » SB8S & SB8R: 1,000 operations (with load)
- » SB8V & SB8G: 10,000 operations & -40°C to +85°C

#### SOLDERIN CONDITIONS

- » SB8S & SB8R: 270°C 5 sec.
- » SB8V & SB8G: 230°C 3 sec.