

# Slide Switches

## 1P2T/2P2T Slide Switches

## SB40 Series

### General Specifications



#### MATERIALS

- » Cover: Stainless steel
- » Base & Stem: LCP High-temp thermoplastic in black color
- » Contact: Alloy copper
- » Terminals: Brass



#### MECHANICAL

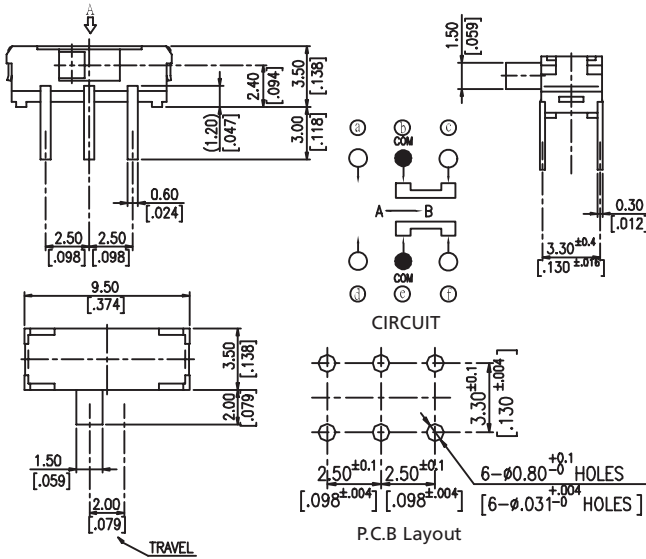
- » Mechanical Life: 10,000 cycles
- » Operating Force: 200±150 gf
- » Operating Temperature: -20°C to +70°C
- » Storage Temperature: -20°C to +70°C

#### ELECTRICAL

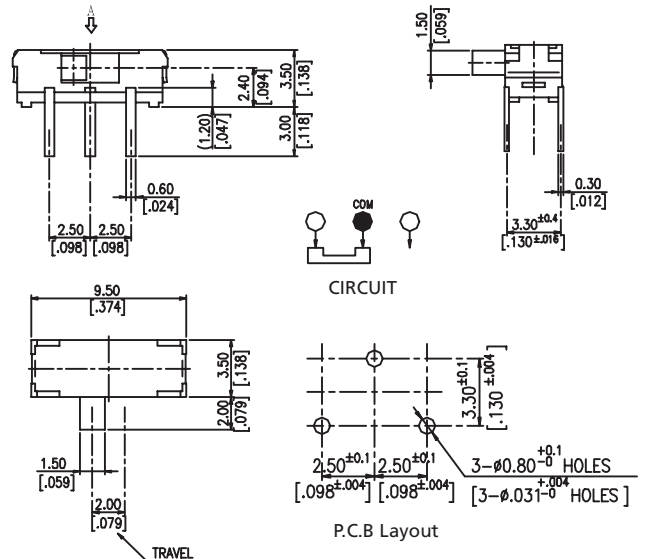
- » Electrical Life: 10,000 cycles
- » Non-Switching Rating: 100mA, 50VDC
- » Switching Rating: 25mA, 24VDC
- » Contact Resistance: 100mΩ max.
- » Insulation Resistance: 100MΩ min. (500VDC)

#### SOLDERING PROCESSES

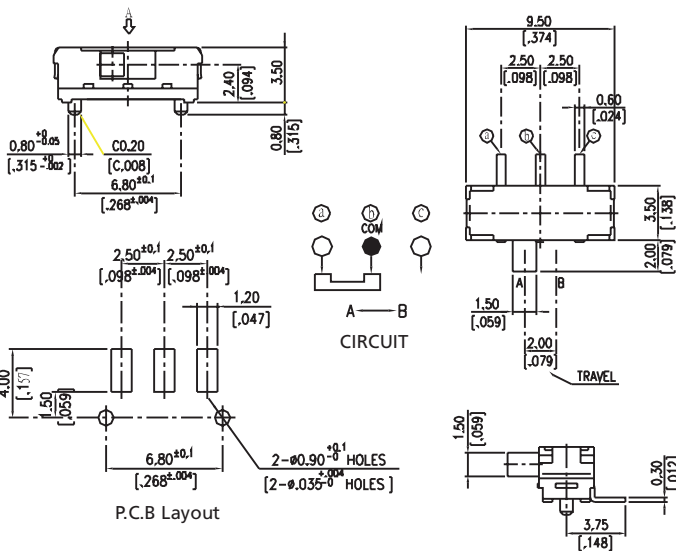
- » Hand Soldering: 30 watts, 350°C, 5 sec.
- » Reflow Soldering (SMT Terminals): 260°C



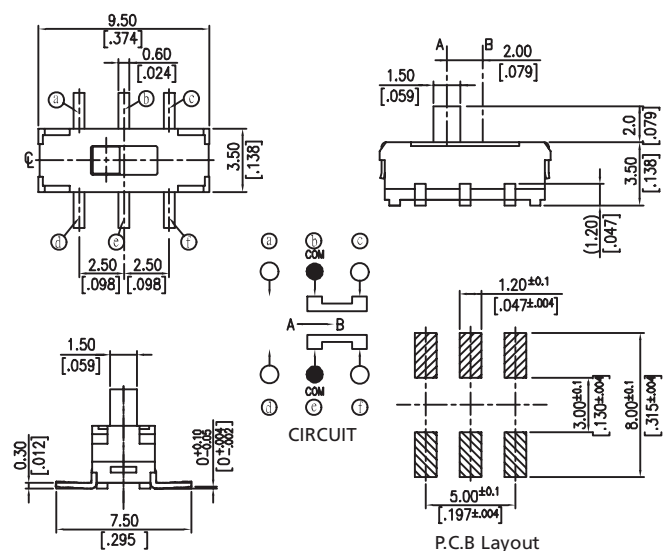
SB40H2... Horizontal THT, 2P2T



SB40H1... Horizontal THT, 1P2T



SB40S1\_1... Horizontal SMT, 1P2T, with Pilot



SB40S2\_1... Vertical SMT, 2P2T, with Pilot

### How to order:

SB40

- |  |  |  |                               |                                       |
|--|--|--|-------------------------------|---------------------------------------|
| <b>1 SLIDE FUNCTION:</b>                   | <b>3 TERMINALS LENGTH</b><br>(Only for THT Terminals): | <b>4 STEM LENGTH</b><br>(Only for Horizontal Slide Type) | <b>6 STEM DIRECTION:</b>      | <b>8 PACKAGING:</b>                   |
| H Horizontal THT Slide                     | N 3.0 mm (Standard)                                    | 40 4.0mm   | L Stem on the Left            | BK Bulk                               |
| SH Horizontal SMT Slide<br>(only for 1P2T) | S 0.9 mm   | 32 3.2mm   | R Stem on the Right           | TB Tube (only for SB40H)              |
| SM Vertical SMT Slide                      | K 1.0 mm   |  |                               | TR Tape & Reel                        |
| <b>2 PINS:</b>                             | M 1.5 mm   | <b>5 PILOT:</b>  | <b>7 ROHS &amp; LEAD FREE</b> | <b>9 CUSTOMER SPECIALS:</b>           |
| 1 1P2T                                     | G 1.8 mm   | C Without Pilot  | V RoHs & Lead Free Solderable | According special customer requests:  |
| 2 2P2T                                     | L 2.2 mm   | P Base with Pilot  | H Halogen Free                | UU Gold plated Terminals and Contacts |
|  | V 2.5 mm   |  |                               |                                       |

General Tolerance :± 0.2mm