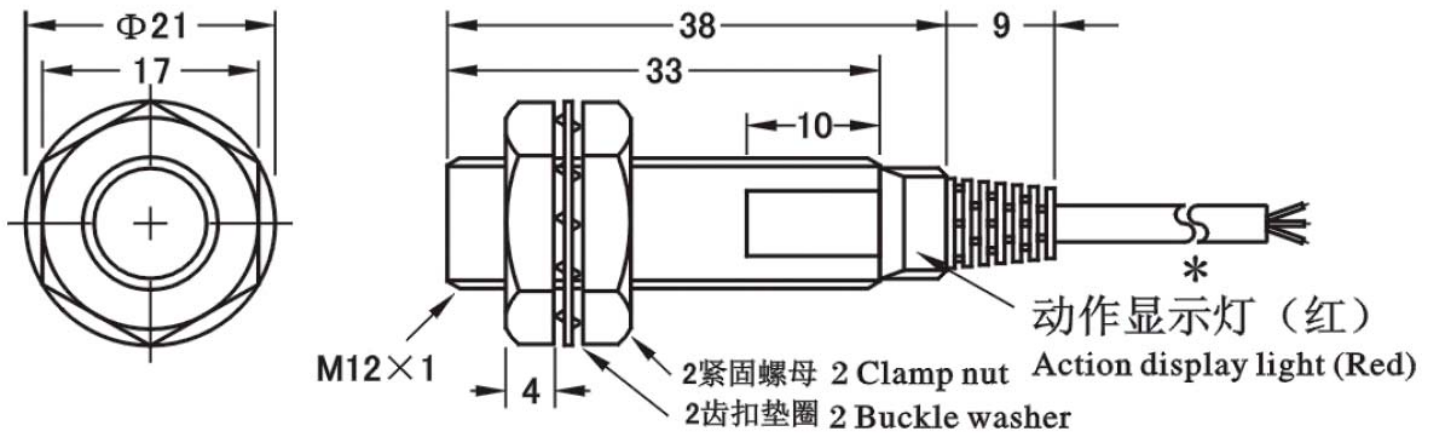


Sensor Switches

Proximity Switches

NSE2E Series

Revised 2010-08-10



SPECIFICATIONS:

Dimension: M12 (inductive type)
 Mounting: Non-Screen type
 Detection Distance: 2 mm
 Response Frequency: DC: 0.5KHz
 Delay Distance: 10% below of the detection distance
 Detection Object: Magnetic metal (the detection distance decreases if it is non-magnetic metal)
 Supply Voltage: DC 12-24V or DC 6-36V
 Consumption Current: 1.7mA Max.
 Controlled Output: 400mA Max.
 Loop Protection: Reversal connection protection, surge absorption, load short-circuit protection
 Temperature Range: -30°C to +65°C
 Insulation Resistance: 50Mohm Min. at DC500 between charging and housing
 Withstand Voltage: AC1000V 50/60Hz 1 minute between charging and housing
 Voltage Influence: +/-15% of rated supply voltage range, +/-10% at rated supply voltage value
 Protection Structure: IP67
 Material: Housing: Brass with nickel plated; Detection surface: ABS
 Standard Switch Cable Length: 1.2 m.



How to order:

NSE2E

1 CIRCUITS:

NO Normally Open
 NC Normally Close

2 SUPPLY VOLTAGE:

1 DC 12-24V
 2 DC 6-36V

3 CABLE:

4 LENGTH OF CABLE:

1.2 1.2 m (standard)
 2 2 m
 3 3 m
 4 4 m
 ... other lengths available

Unit: mm

Code	No. of Core	Color of Core	Diameter of Cable	Color of Cable	Diameter of Copper Wire	No. of Copper Wire
A	2x12	blue & brown	3.8 mm	black/gray	0.15mm	12
B	3x12	blue, brown & black	3.8 mm	black/gray	0.15mm	12