

# Rotary Switches

## 1P10T SMT Type Rotary Switch

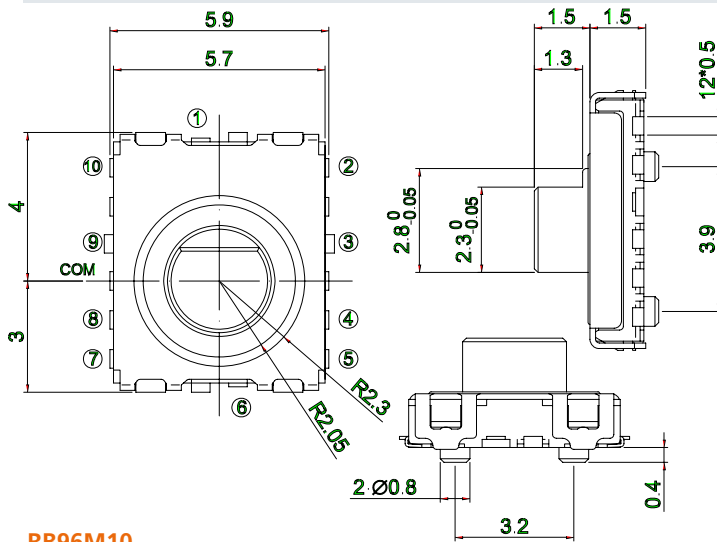
## RB96 Series



### SPECIFICATIONS

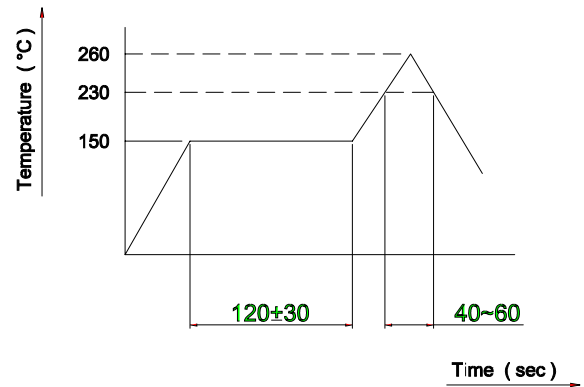
POLE - POSITION	SMT TYPE , 1P10T
CONTACT RATING	5 V DC , 10 mA
CONTACT RESISTANCE	1 Ω max. 1.5 V DC ; 100 mA , by Method of Voltage DROP
INSULATION RESISTANCE	100 MΩ min . 100 V DC for 1 minute
DIELECTRIC STRENGTH	Breakdown is not Allowable ; 100 V AC for 1 Minute
OPERATING FORCE	150 gf.cm max.
OPERATING LIFE	10,000 cycles
OPERATING TEMPERATURE RANGE	-20°C ~ 70°C

### DIMENSIONS

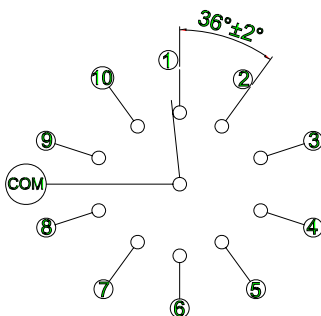


RB96M10

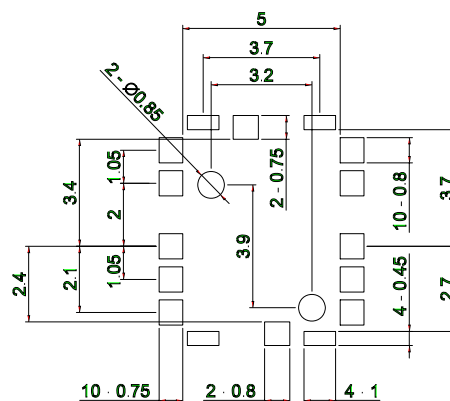
### REFLOW SOLDERING



### CIRCUIT DIAGRAM



### P.C.B. LAYOUT



### CAP



Cap for RB96 Series  
P/N: RB96CAP

### How to order:

RB96 1 2 3

**1** TERMINAL:  
M SMT Type

**2** POSITION:  
10 10 Position

**3** CAP (optional):  
No Code Without Cap  
C With Cap

### MATERIAL & WEIGHT

- COVER - SUS
- ACTUATOR - LCP + GF
- FRAME - LCP + GF
- TERMINAL - PHOSPHOR BRONZE SILVER PLATING
- MOVING CONTACT - PHOSPHOR BRONZE GOLD FLASH
- 0.13 ± 0.05 g / pcs

# Rotary Switches

## 1P10T SMT Type Rotary Switch

## RB96 Series

### CAP



Cap for RB96 Series  
P/N: **RB96CAP**

