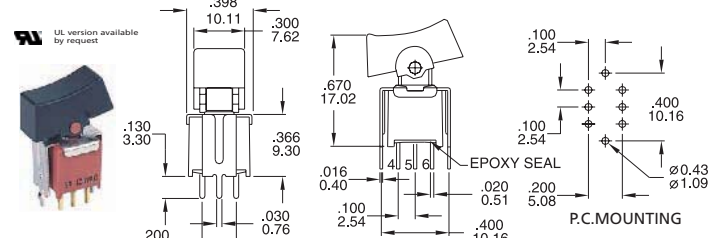
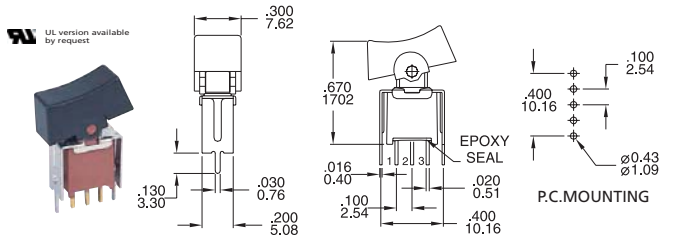
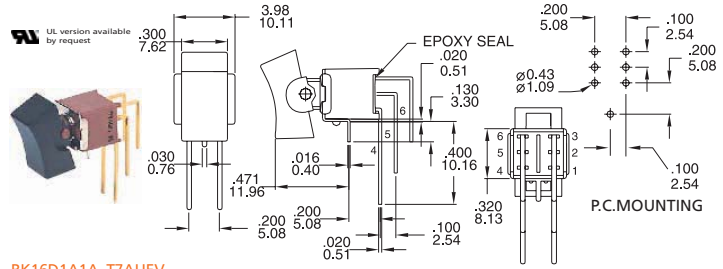
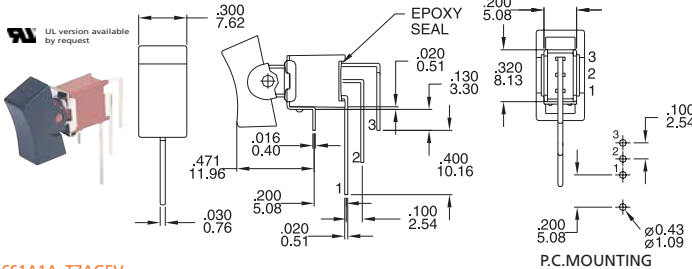
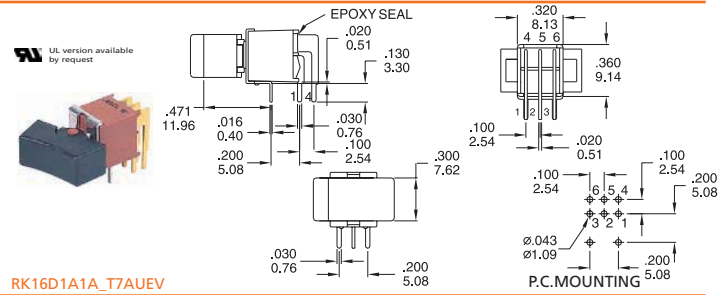
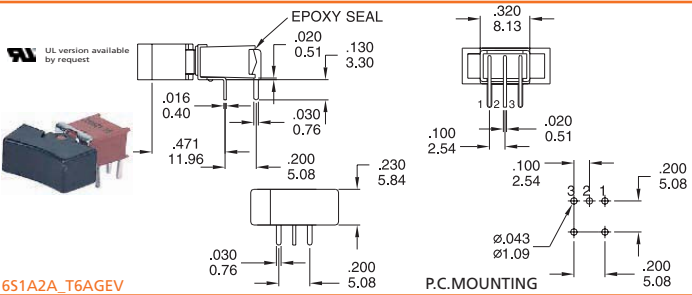
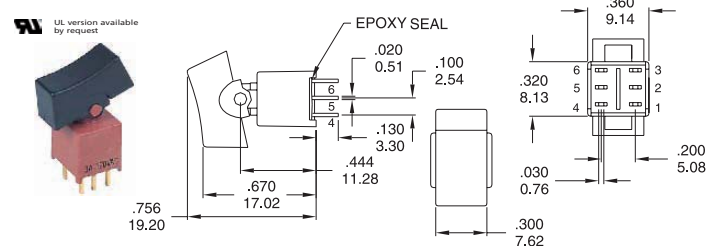
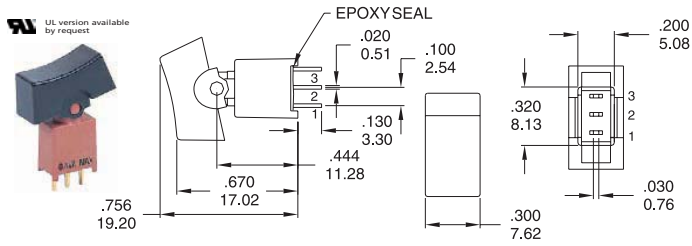


Rocker Switches

Sealed Sub-Miniature Rocker Switches

RK16 Series



How to order:

RK16

1 POLES & SWITCH FUNCTION:

- S1 SP ON-NONE-ON
- S2 SP ON-NONE-MOM
- S3 SP ON-OFF-ON
- S4 SP MOM-OFF-MOM
- S5 SP ON-OFF-MOM
- S6 SP OFF-NONE-ON
- D1 DP ON-NONE-ON
- D2 DP ON-NONE-MOM
- D3 DP ON-OFF-ON
- D6 DP ON-ON-ON

2 ACTUATOR:

- A1 Rocker, 7.62mm wide
- A2 Rocker, 5.84mm wide

3 ACTUATOR COLOR

- | | | |
|---------------|----------|---------|
| A Black(Std.) | H Grey | B White |
| F Green | D Orange | C Red |
| E Yellow | K Brown | G Blue |

4 ACTUATOR MARKING

- | | |
|---|---|
| A | E |
| B | F |
| C | G |
| D | H |

5 TERMINATIONS

- T1 Solder Lug
- T2 PC Thru Hole
- T5 Wire Wrap
- T6 PC Thru Hole Right Angle
- T6N PC Thru Hole Right Angle Snap-in
- T7 PC Thru Hole, Vertical Right Angle
- T7N PC Thru Hole, Vertical Right Angle Snap-in
- VS2 V-Bracket, Height=8.94mm
- V2N Snap-in V-Bracket, Height=8.94mm

6 CONTACT MATERIALS :

- AG Silver
- AU Gold
- UT Gold, Tin-Lead
- GT Silver, Tin-Lead
- UG Gold over Silver
- UGT Gold over Silver, Tin-Lead

7 SEAL:

- E Epoxy

8 ROHS & LEAD FREE

- V RoHS Compliant & Lead Free

General Specifications:

MATERIALS

- » Movable Contact & Fixed Terminals:
 - AG, GT, UG & UGT: Silver plated over copper alloy
 - AU & UT: Gold over nickel plated over copper alloy

MECHANICAL

- » Operating Temperature: -30°C to +85°C
- » Mechanical Life: 30,000 cycles

CONTACT RATING

- » AG, GT, UG & UGT: 3A120VAC/28VDC
1A250VAC
- » AU & UT: 0.4VA max. 20V max. (AC/DC)

ELECTRICAL

- » Contact Resistance: 20mΩ max. initial @ 2-4VDC
100mA for silver & gold plated contacts
- » Insulation Resistance: 1,000MΩ min.

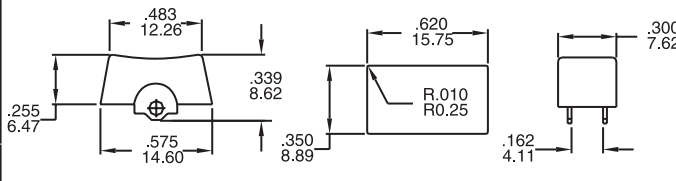
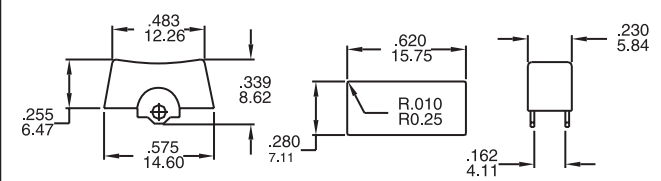
Rocker Switches

Sealed Sub-Miniature Rocker Switches

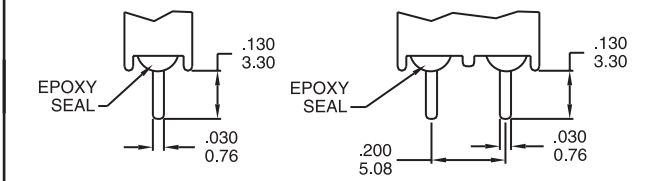
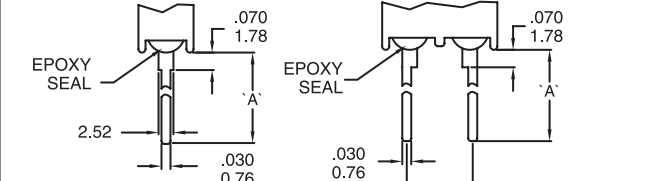
RK16 Series

NO. POLES	MODEL NO.	SWITCH FUNCTION			CONNECTED TERMINALS / SCHEMATIC		
		POS.1	POS.2	POS.3	POS.1	POS.2	POS.3
SP	RK16S1	ON	NONE	ON	2-3	N/A	2-1
	RK16S2	ON	NONE	MOM			
	RK16S3	ON	OFF	ON	2(COMM) 1 • 3	OPEN	1 • 3
	RK16S4	MOM	OFF	MOM			
	RK16S5	ON	OFF	MOM	OPEN	N/A	3-1
	RK16S6	OFF	NONE	ON			
DP	RK16D1	ON	NONE	ON	2-3,5-6 2(COMM) 5	N/A	2-1,5-4 1 • 3 4 • 6
	RK16D2	ON	NONE	MOM			
	RK16D3	ON	OFF	ON	2-3,5-6	2-3,5-4	2-1,5-4
	RK16D6	ON	ON	ON			

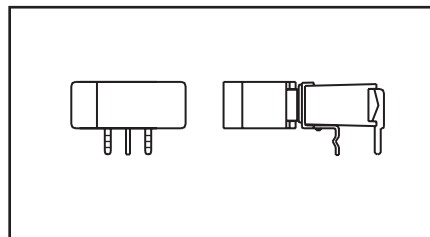
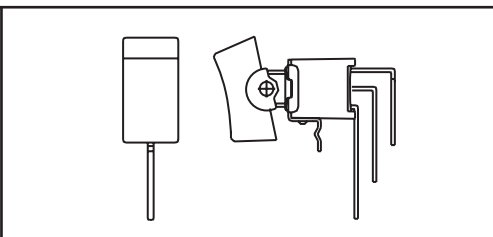
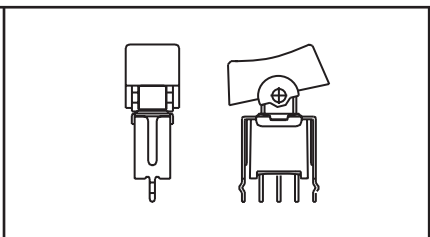
ACTUATOR OPTIONS

	
A1 PANEL MOUNTING	A2 PANEL MOUNTING

TERMINAL OPTIONS

							
T2 P.C. THRU-HOLE	T5 WIRE WRAP						
	<table border="1"> <thead> <tr> <th>OPTION CODE</th> <th>DIM. 'A'</th> </tr> </thead> <tbody> <tr> <td>SP-T5</td> <td>.614(15.60)</td> </tr> <tr> <td>DP-T5</td> <td>.236(6.00)</td> </tr> </tbody> </table>	OPTION CODE	DIM. 'A'	SP-T5	.614(15.60)	DP-T5	.236(6.00)
OPTION CODE	DIM. 'A'						
SP-T5	.614(15.60)						
DP-T5	.236(6.00)						

SNAP-IN TERMINATION OPTIONS

		
T6N	T7N	V2N