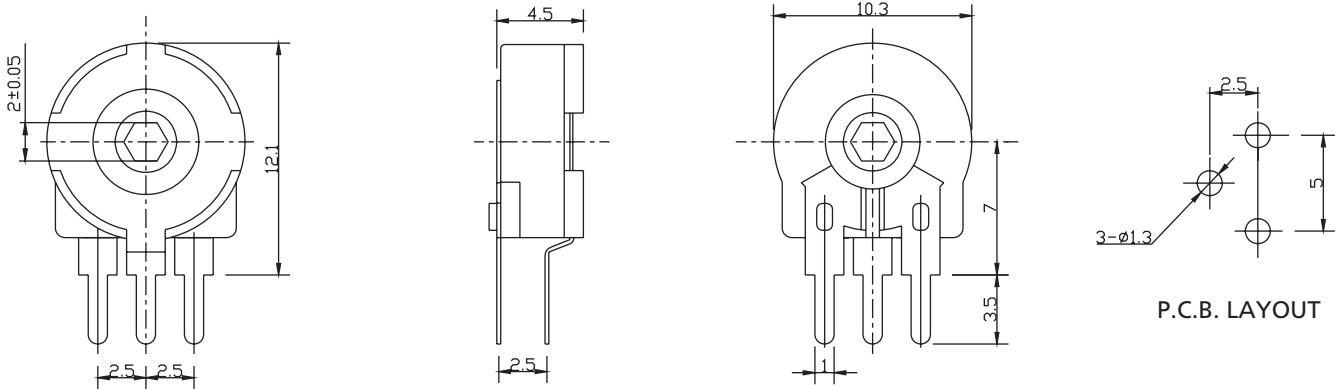


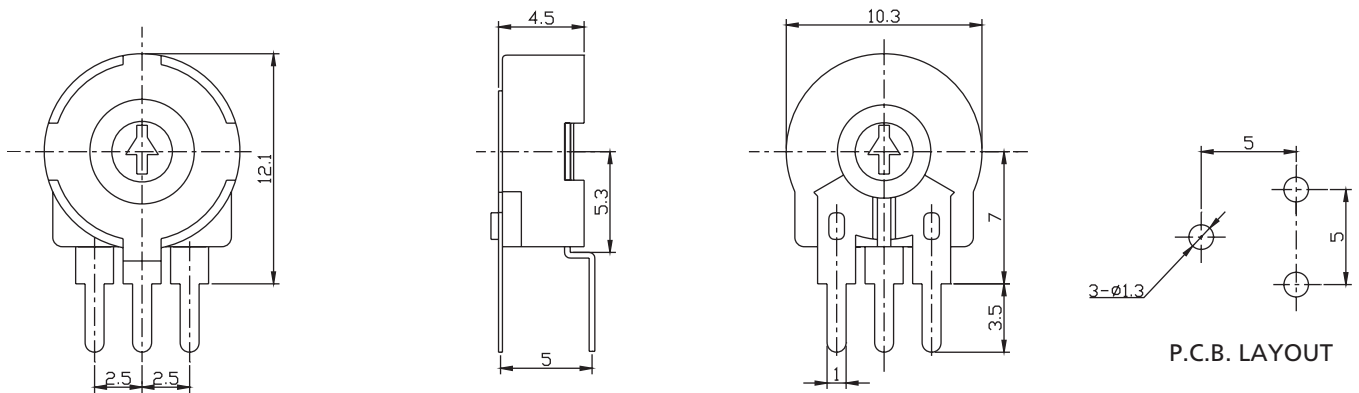
# Potentiometers

## Ø10.3mm THT Trimming Potentiometers

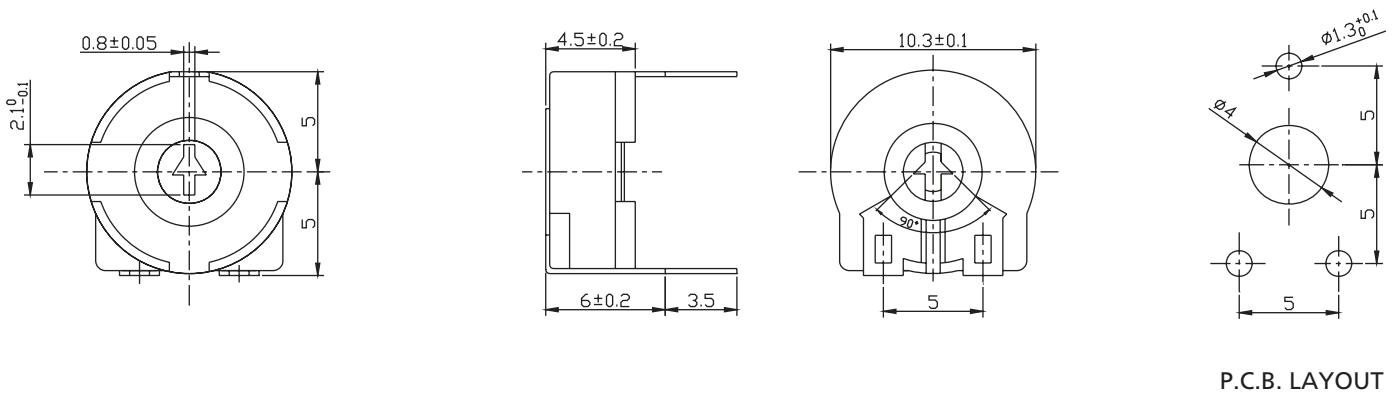
## GP63 Series



GP63A1... Right Angle Type Pitch 2.5 mm



GP63A2... Right Angle Type Pitch 5 mm



GP63H... Straight Type

### How to order:

GP63 1 2 3 4 5 6

RoHS Compliant

#### 1 TYPE & TERMINALS:

- A1 Right Angle Type Pitch 2.5 mm
- A2 Right Angle Type Pitch 5 mm
- H Straight Type

#### 2 TYPE OF ROTOR:

- L Arrow Type (see drawing)
- K Cross Slot Thru Type (See drawing)
- G Hexagonal Thru Hole Type 1 (See drawing)
- M Hexagonal Thru Hole Type 2 (See drawing)

#### 3 TYPE OF TAPER:

- A Logarithm
- B Linear
- C Anti-Logarithm

#### 4 RESISTANCE VALUE (Unit: Ω):

- free text 100 Ω to 5M Ω  
e.g.: 220K for 220.000 Ω

#### 5 RESISTANCE TOLERANCE:

- 20 ± 20% (100Ω to 1MΩ)
- 30 ± 30% (1MΩ to 5MΩ)

#### 6 SHAFT:

- blank Without Shaft (Standard)
- 1 Type 1 (See drawing)
- 2 Type 2 (See drawing)
- 3 Type 3 (See drawing)
- 4 Type 4 (See drawing)
- 5 Type 5 (See drawing)
- 6 Type 6 (See drawing)

## 微调合成碳膜电位器 SPECIFICATIONS

### 一般事项

### General

□此规格适用于电子设备之可变电阻器.

-This specification is applied to potentiometers used for electronic equipment.

□使用温度范围:  $-25^{\circ}\text{C} \sim +70^{\circ}\text{C}$

-Operating temperature:  $-25^{\circ}\text{C} \sim +70^{\circ}\text{C}$

### 特点

### Features

□长寿命, 低成本

-Carbon resistive element.

-Dust proof enclosure.

□优良的防尘结构, 没有任何开口部分

-Polyester substrate.

-Also upon request:

□阻值线性多样化

◇Wiper positioned at 50% or fully clockwise.

◇Supplied in magazines for automatic insertion.

□力矩小

◇Long life model for low cost control pot applications

◇self extinguishable plastic UL 94V-0

□旋转 50%处有定位或整个旋转行程带定位

◇cut track option

◇special tapers

□品种规格多, 适用性强

◇mechanical detents

◇low & extra low torque versions

◇special switch option

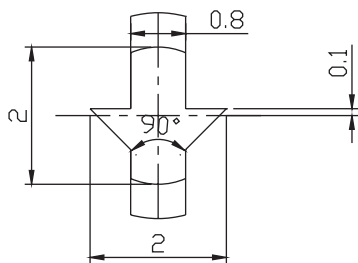
### 性能说明 CHARACTERISTICS

#### 电气性能 ELECTRICAL SPECIFICATIONS

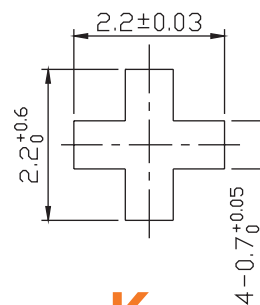
阻值范围 Range of valuse	$100 \Omega \leq R_n \leq 5M \Omega$
阻值误差 Tolerance	$100 \Omega \leq R_n \leq 1M \Omega \dots\dots\dots \pm 20\%$ $1M \Omega < R_n \leq 5M \Omega \dots\dots\dots \pm 30\%$
最大电压 Max. voltage	200V DC (lin), 100V DC (no lin)
额定功率 Rated power	0.15W (lin), 0.07W (no lin)
线性 Taper	Lin, Log, Alog
残留电阻 Residual resistance	$\leq 5\% R_n (3 \Omega \text{ min})$
平滑性 Equivalent noise resistance	$\leq 3\% R_n (3 \Omega \text{ min})$

机械性能 MECHANICAL SPECIFICATIONS	
机械旋转角度 Mechanical rotation angle	235° ±5°
电气旋转角度 Electrical rotation angle	220° ±20°
旋转力矩 Torque	0.4~2Ncm
止档力矩 Stop torque	>5Ncm
机械耐久性 Mechanical endurance	Long life 10,000cycles
焊接 Soldering	温度 T≤260°C±5°C,时间 t≤5s

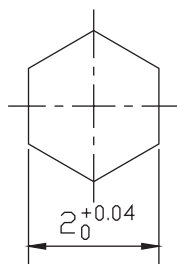
### ROTORS(孔的形式)



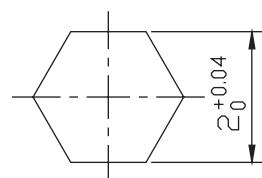
**L**



**K**



**G**



**M**

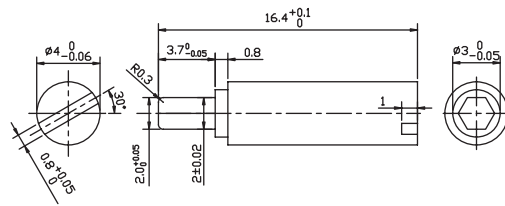
# Potentiometers

Ø10.3mm THT Trimming Potentiometers

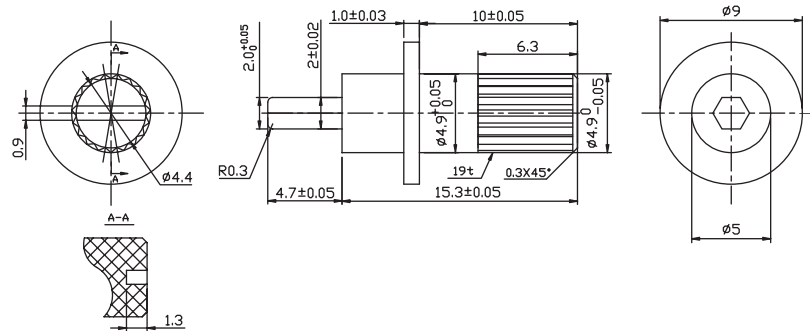
GP63 Series

SHAFT(现有轴种类)

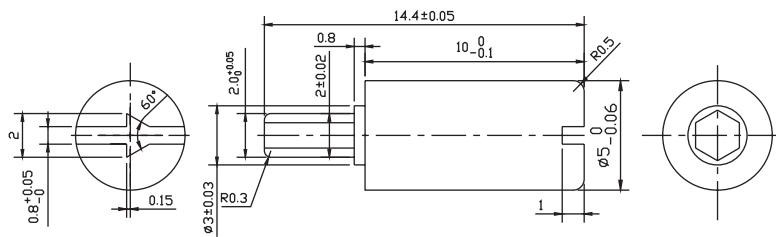
Type 1



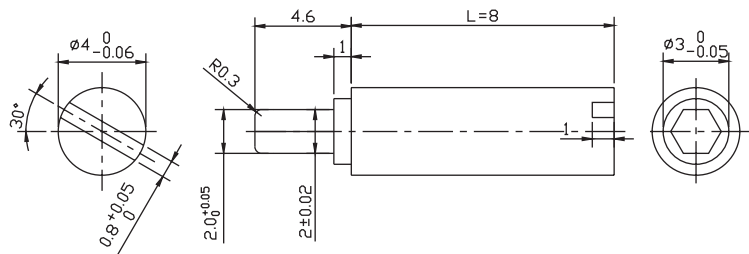
Type 2



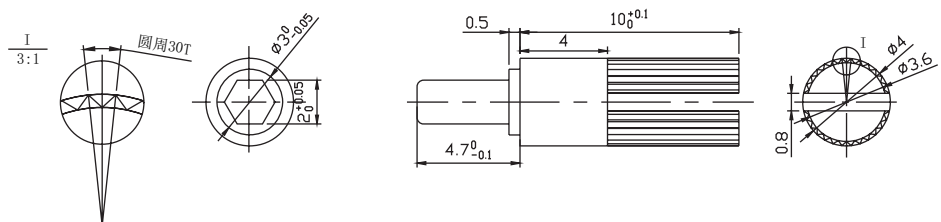
Type 3



Type 4



Type 5



Type 6

