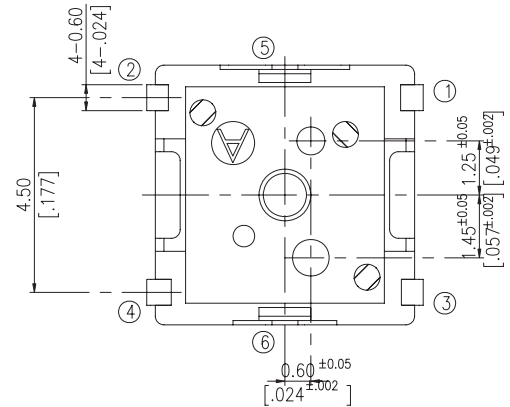
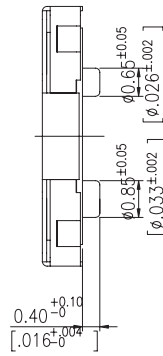
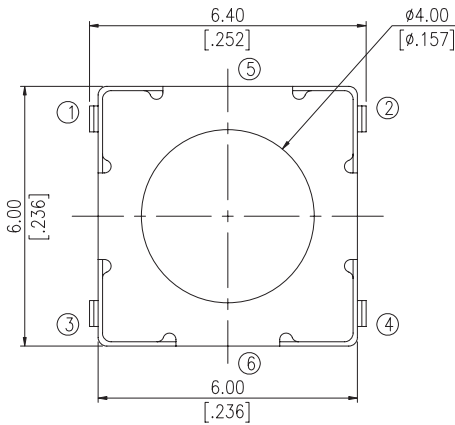


# Multi-Direction Switches

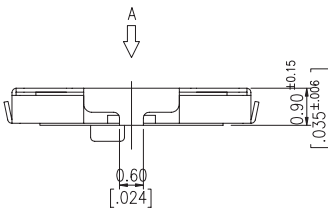
## Miniature Double Action Switch

## MB7 Series

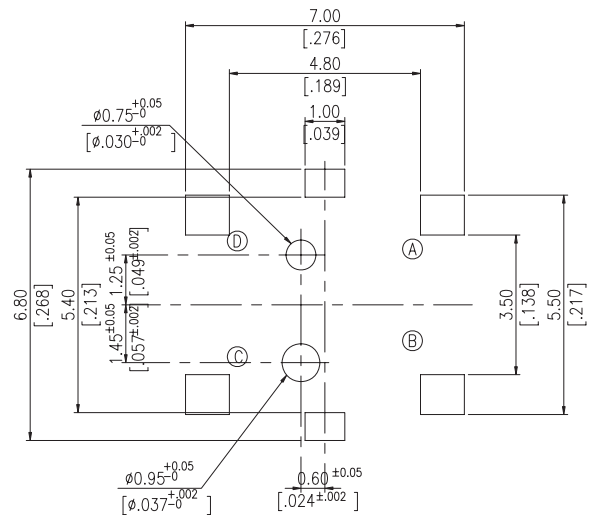
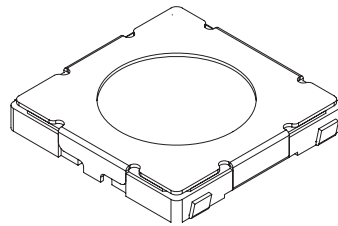
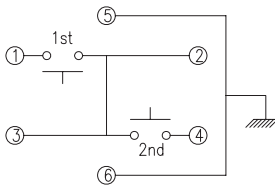
Unit: mm [inch]  
General Tolerance:  $\pm 0.2$  mm



P.C.B. LAYOUT  
(VIEW FROM THE DIRECTION A)



CIRCUIT



### How to order:

MB7 1 2

#### 1 TERMINAL TYPE:

J J Bend

#### 2 PACKAGE STYLE:

TR Tape & Reel

### General Specifications:

#### MECHANICAL

Operation Force: 1<sup>st</sup> 80  $\pm$ 40gf  
2<sup>nd</sup> 250  $\pm$ 60gf

Stroke: 1<sup>st</sup> 0.25  $\pm$ 0.1 mm  
2<sup>nd</sup> 0.40  $\pm$ 0.15 mm

Operation Temperature: -25°C to +70°C

Storage Temperature: -30°C to +80°C

#### ELECTRICAL

Electrical Life: 30,000 cycles

Rating: 50mA , 12VDC

Contact Resistance: 100m $\Omega$  max.

Insulation Resistance: 100M $\Omega$  min. at 100VDC

Dielectric Strength: 250VAC/1 minute

Contact Arrangement: 1 pole 2 throw

# Multi-Direction Switches

## Miniature Double Action Switch

MB7 Series

### MATERIAL

COVER: Nickel silver

BASE: UL 94V-0 Nylon high-temp Thermoplastic Color: Black

DUST-PROOF: PTFE Color: White

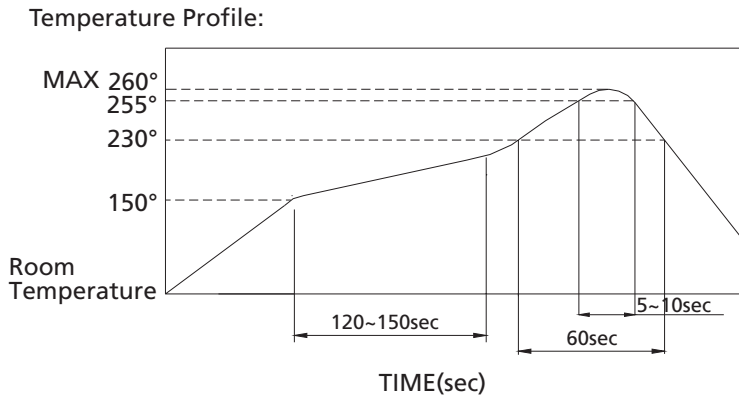
CONTACT DISC: Stainless with silver cladding

TERMINAL: Copper alloy with silver plated

### SOLDERING PROCESS

**HAND SOLDERING:** Use a soldering iron of 30 watts, controlled 350°C approximately 5 seconds while applying.

**REFLOW SOLDERING:** When applying reflow soldering, the peak temperature of reflow oven should be set to 260°C max.



### PACKING

4000/Reel

