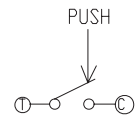
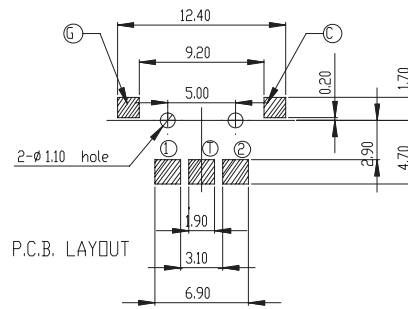


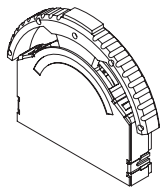
# Multi-Direction Switches

Push & Lever Multifunction Switches with Click Feel

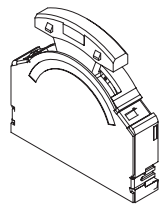
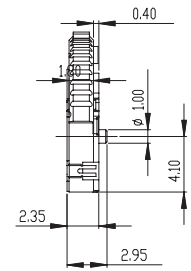
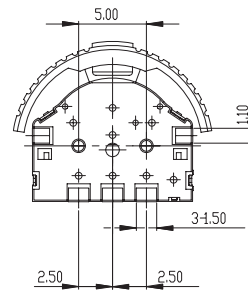
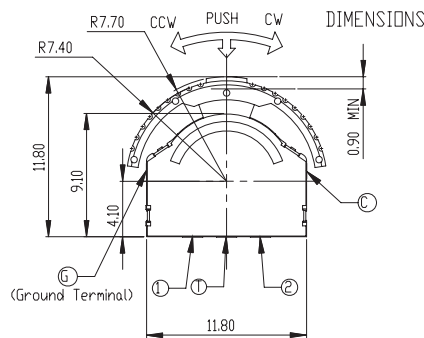
MB5 Series



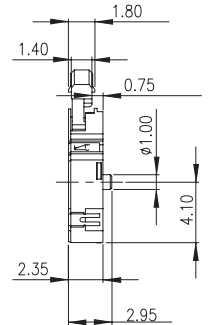
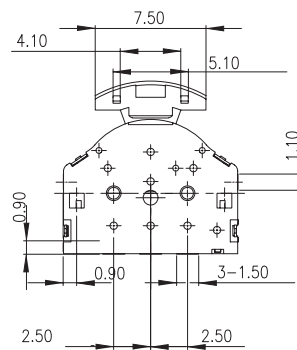
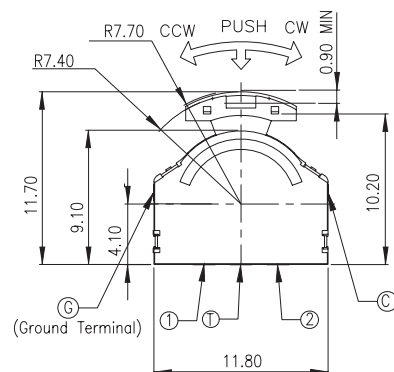
CIRCUIT DIAGRAM (PUSH BOTTOM)



MB5MICTR



MB5MKCTR



Terminal	Angle	
	25°	0°
①	(18)	(18)
②		
③		

CCW ← → CW  
CODE TABLE

## General Specifications:

### MATERIALS

- » Contact: Phosphor bronze with silver cladding at contact surface
- » Terminal: Phosphor bronze with silver cladding at contact surface
- » Spring: Stainless steel

### MECHANICAL

- » Mechanical Life: 100,000 cycles
- » Operating Force:
  - (A) Center push: 200±100 gf
  - (B) Lever {CW,CCW}: 70±50 gf
- » Operating Temperature: -10°C to +60°C
- » Storage Temperature: -30°C to +80°C

### ELECTRICAL

- » Electrical Life: 100,000 cycles
- » Rating: 10mA, 5VDC
- » Contact resistance: 500 Ω
- » Circuit: Single pole single throw

### SOLDERING PROCESSES

- » Reflow Soldering: When applying reflow soldering, the peak temperature or the reflow oven should be set to 260°C max 10 seconds max..

## How to order:

MB5 1 2 3

- 1 ACTUATOR:**
  - MI Mounting Knob Intergrated
  - MK Mounting Knob
- 2 CLICK FEEL:**
  - C With Click Feel

- 3 PACKING:**
  - TR Tape & Reel ( 900 pcs / reel )

General Tolerance: ± 0.2 mm