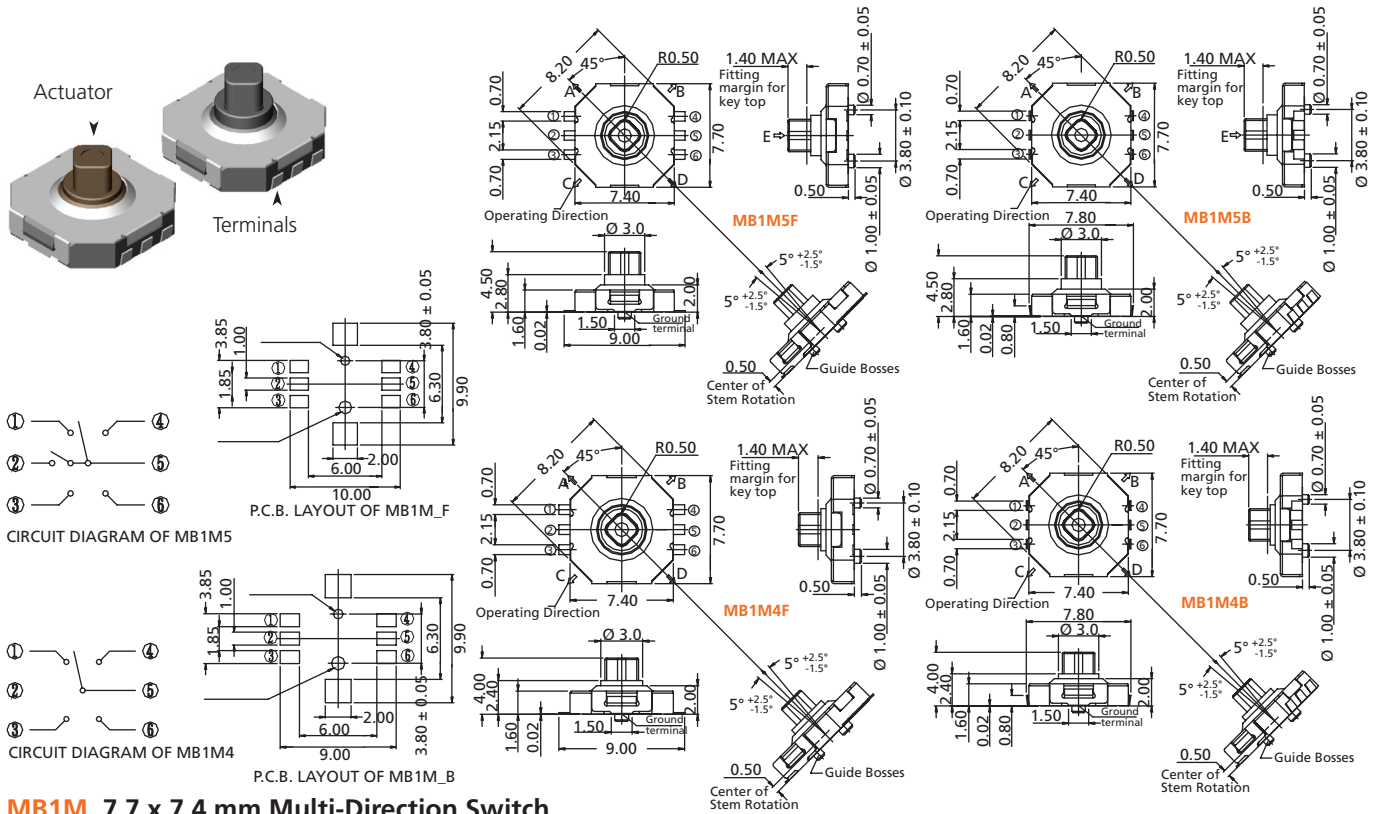


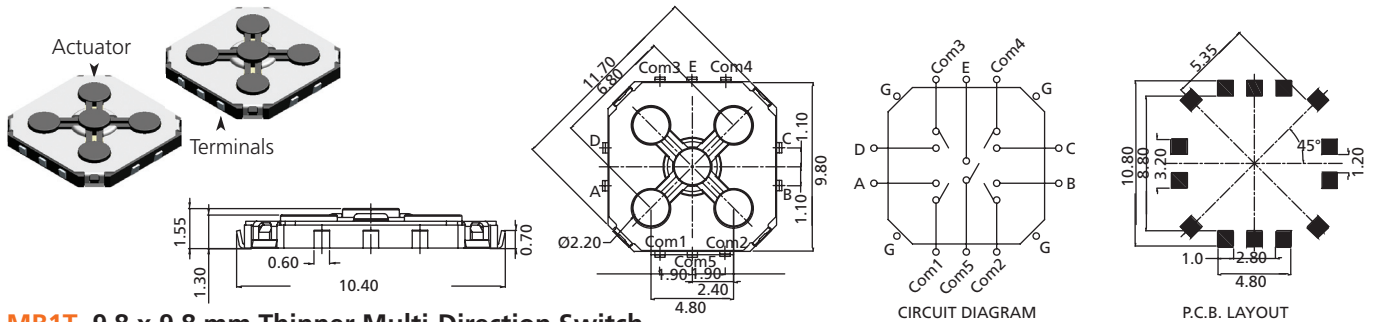
Multi-Direction Switches

SMT Multi-Direction Switches

MB1 Series



MB1M 7.7 x 7.4 mm Multi-Direction Switch



MB1T 9.8 x 9.8 mm Thinner Multi-Direction Switch

How to order:

MB1

1 TYPE OF SWITCHES:

- M** 7.7 x 7.4 mm Multi-Direction Switch
- T** 9.8 x 9.8 mm Thinner Multi-Direction Switch

2 NO. OF DIRECTIONS:

- 4** 4 Directions (MB1M Only)
- 5** 5 Directions

3 TERMINAL TYPE:

- B** SMT Bending Terminals
- F** Flat SMT Terminals (MB1M Only)

4 PACKAGE:

- TR** Tape & Reel
- BK** Bag (MB1T Only)
- TB** Tube (MB1T Only)

General Specifications:

MATERIALS

- » Contact: Stainless with silver cladding
- » Terminal: Brass with silver plated

MECHANICAL

- » Stroke: 5° (+2.5°/-1.5°) (4 directions)
0.25 (+0.1/-0.2) mm (Center push)
0.25 (±0.15) mm (MB1T Only)
- » Operating Force: 160 gf (MB1M4)
320 gf (MB1M5)
180 ± 60 gf (MB1T Side)
320 (+80/-60) gf (MB1T center)
- » Operating Temperature: -25°C to +70°C (MB1M)
-20°C to +70°C (MB1T)
- » Storage Temperature: -40°C to +85°C

ELECTRICAL

- » Electrical Life: 100,000 cycles (MB1M)
200,000 cycles (MB1T)
- » Rating: 50mA, 12VDC

LEADFREE SOLDERING PROCESSES

- » Reflow Soldering: When applying reflow soldering, the peak temperature or the reflow oven should be set to 260°C 10 seconds max.

General Tolerance: ± 0.2 mm