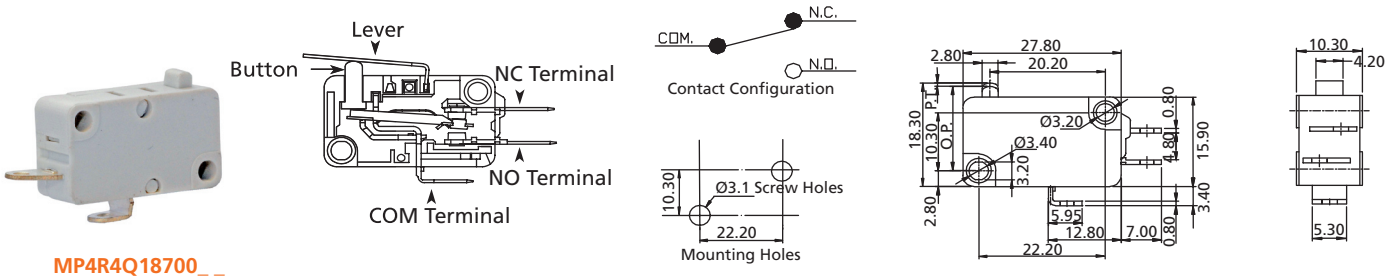


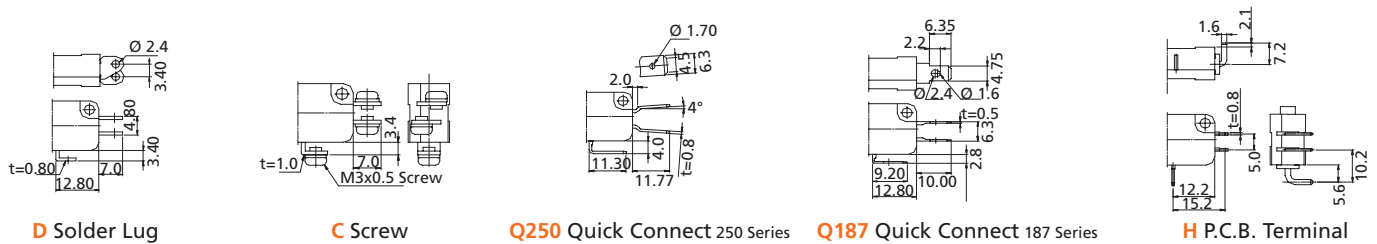
Micro Switches

Micro Switches 16A 125/250VAC

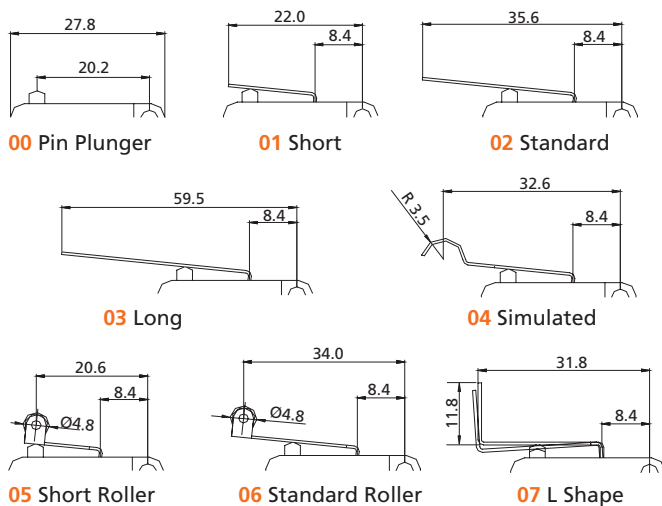
MP4 Series



TERMINAL TYPE



HINGED TYPE (LEVER)



OPERATING FORCE

Hinged Type	O.P. (mm)	P.T. max. (mm)	O.T. min. (mm)	M.D. max. (mm)	Operating Force max. (gf)			Release Force min. (gf)		
					L	N	H	L	N	H
00	14.7±0.4	1.2	1.0	0.3	150±50	250±50	350±50	30	60	100
01	15.2±0.5	1.6	0.8	0.5	150±50	250±50	350±50	30	60	100
02	15.2±1.2	4.0	1.6	0.8	70	90	135	20	40	50
03	15.2±2.6	9.0	3.2	2.0	15	75	70	20	45	30
04	18.7±1.2	4.0	1.6	0.8	30	100	150	20	40	50
05	20.7±0.6	1.6	0.8	0.5	150±50	250±50	350±50	30	60	100
06	20.7±1.2	4.0	1.6	0.8	30	90	135	20	40	50
07	24.4±1.0	4.0	0.5	0.8	30	110	170	20	50	60

O.P. (Operation Position): The position of the actuator at which the contact snap to the operated contact position
 F.P. (Free Position): The initial position on the actuator when there is no external force applied
 P.T. (Pretravel): The distance or angle through which the actuator moves from the F.P. to the O.P.
 O.T. (Over Travel): The distance or angle of the actuator movement beyond the O.P.
 R.P. (Releasing Position): The position of the actuator at which the contacts snap from the operated contact position to their normal position
 M.D. (Movement Differential): The distance or angle from O.P. to R.P.

How to order:



- | | | | |
|----------|--|----------|---|
| 1 | CURRENT RATING:
16A 125/250VAC | 4 | OPERATING FORCE
(See above shedule):
L Lower Force
N Standard Force
H Higher Force |
| 2 | TERMINAL TYPE
(See above drawings):
D Solder Lug
C Screw
Q250 Quick Connect 250 Series
Q187 Quick Connect 187 Series
H P.C.B. Terminal | 5 | CIRCUIT
2 SPDT
1C SPST (NC)
1O SPST (NO) |
| 3 | HINGED TYPE
(See above drawings):
00 Pin Plunger
01 Short Hinge Lever
02 Standard Hinge Lever
03 Long Hinge Lever
04 Simulated Hinge Lever
05 Short Roller Hinge Lever
06 Standard Roller Hinge Lever
07 L Shape Hinge Lever | | |

General Specifications:

FEATURES

- » Long Life spring mechanism
- » Large over travel

MATERIAL

- » Stationary Contact: AgNi+Cu
- » Movable Contact: AgNi
- » Terminals: C2680R-H

MECHANICAL

- » Type of Actuation: Momentary
- » Mechanical Life: 300,000 operations min.
- » Operating Temperature: -25°C to +105°C

ELECTRICAL

- » Electrical Life: 10,000 operations min.
- » Initial Contact Resistance: 50mΩ max.
- » Insulation Resistance: 100MΩ min.