



**IS01BCE**  
with Yellow LCD Mode



**IS01BFRGB**  
with RGB LED Option and Black  
and White LCD Mode

Programmable to display graphics, alphanumeric characters and animated sequences.  
 LC-Displays can be used alone or in conjunction with electromechanical switches.  
 Integrated liquid crystal display provides wide viewing angle with high contrast and clarity.  
 Built-in single or bicolor LED backlighting enhances display and enables multifunctional uses.  
 RGB LED provides numerous color variations.  
 Viewing area 13.9mm x 10.6mm (horizontal x vertical) at 36 x 24 pixels.

### SUPER BRIGHT LED BACKLIGHTING

Part Number	Terminals	LCD Mode	LED Color
IS01BCCF	Straight PC	Yellow STN Positive	* Red/Green
IS01BCE			Yellow
IS01BCEF			* Yellow/Green

\* Simultaneous illumination of both colors achieves third color.

### RGB LED BACKLIGHTING

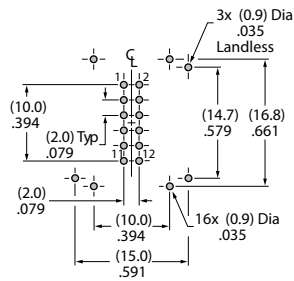
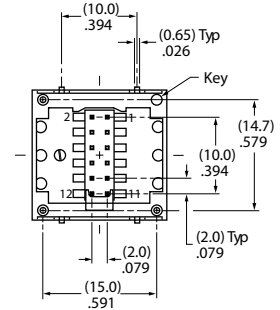
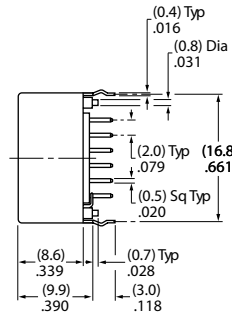
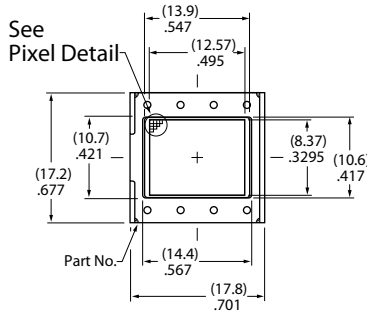
Part Number	Terminals	LCD Mode	LED Color
IS01BFRGB	Straight PC	Black & White FSTN Positive	** Red/Green/Blue

\*\* Simultaneous RGB illumination achieves infinite colors.

### GENERAL SPECIFICATIONS OF LCD

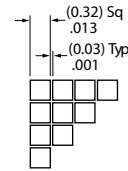
Display Operation Mode	STN positive or FSTN positive
Display Condition	Transflective with built-in LED backlight
Viewing Angle	Adjustable
Driving Method	1/24 duty. 1/5 bias (built-in driving circuit)
Viewing Area	13.9mm x 10.6mm (horizontal x vertical)
Pixel Format	36 x 24 dots (horizontal x vertical)
Pixel Size	0.32mm x 0.32mm (horizontal x vertical)
Operating Temperature Range	0°C through 40°C
Storage Temperature Range	-10°C through 60°C
Backlight LED	Single Color: yellow; Bicolor: red/green, yellow/green; RGB: red/green/blue

### TYPICAL DISPLAY DIMENSIONS WITH SINGLE OR BICOLOR LEDS



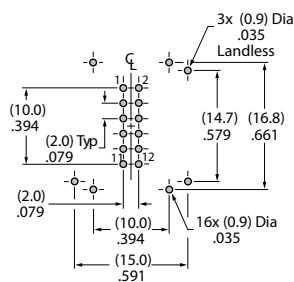
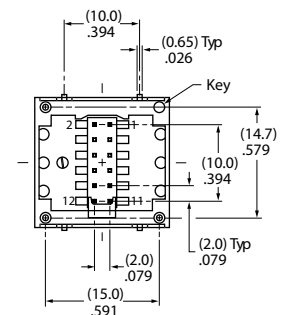
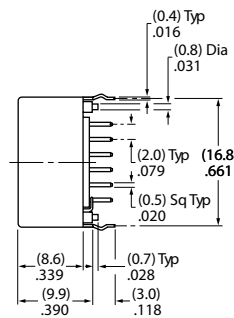
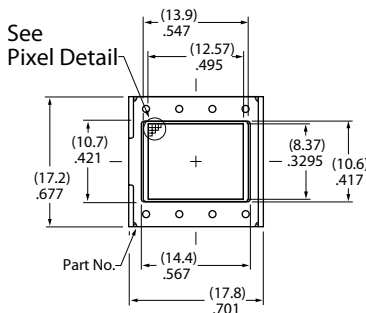
Footprint

Terminal numbers are not on the device.



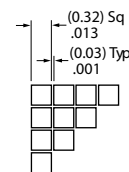
Pixel Detail

### TYPICAL DISPLAY DIMENSIONS WITH RGB LED



Footprint

Terminal numbers are not on the device.



Pixel Detail