

Detector Switches

Vertical Type Detector Switches

DF45 Series

Updated: 2010-09-15

General Specifications



MATERIALS

- » Cover: UL 94V-0 Nylon High-Temp. Thermoplastic black
- » Contact: Stainless with silver plated
- » Terminal: Phosphor bronze with silver plated
- » Base: UL 94V-0 Nylon High-Temp. Thermoplastic black
- » Stem: UL 94V-0 Nylon High-Temp. Thermoplastic black

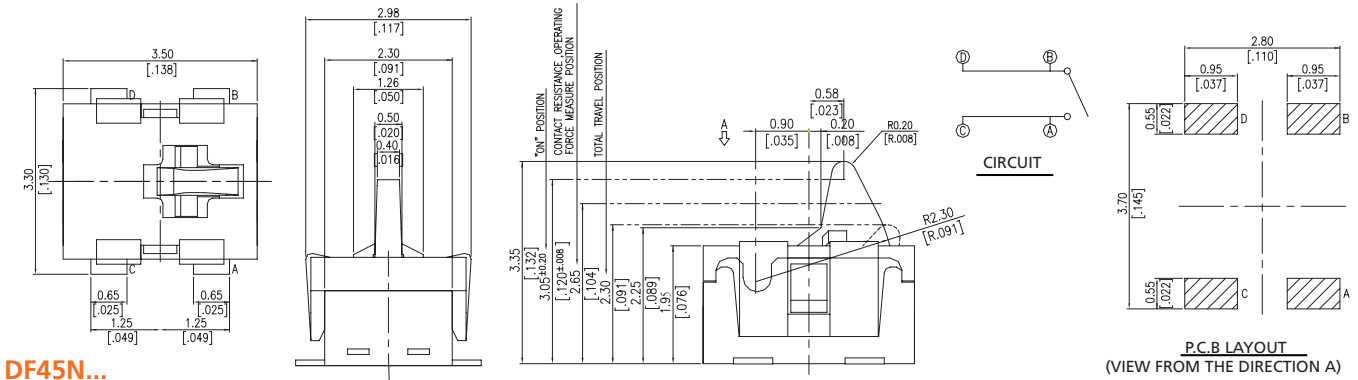
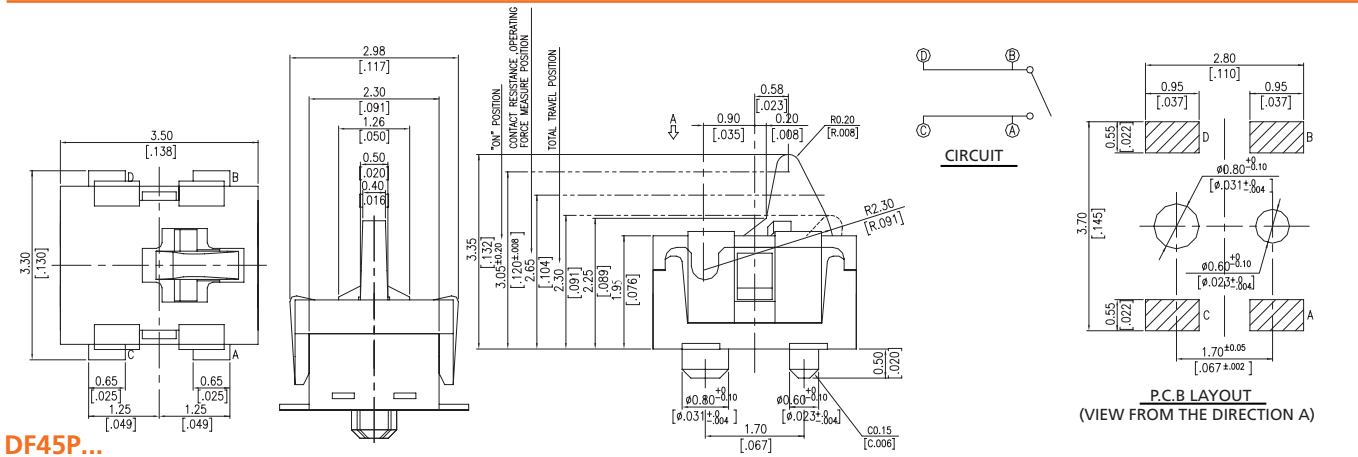
MECHANICAL

- » Operation Force: 35gf max.
- » Stroke: 1.05 mm Max.
- » Operation Temperature: -15°C to +70°C
- » Storage Temperature: -40°C to +85°C

ELECTRICAL

- » Electrical Life: 100,000 cycles
- » Rating: 0.1mA~100mA, 20mA~5V DC
- » Contact Arrangement: 1 pole 1 throw
- » Dielectric Strength: 100 VAC / 1 minute.
- » Contact Resistance : 500mΩ Max.
- » Insulation Resistance : 100 MΩ Min , at 100 VDC.

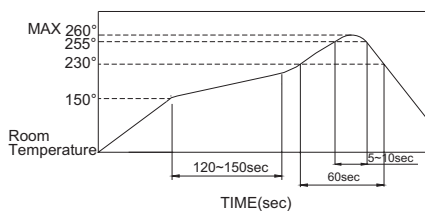
General Tolerance:±0.2mm



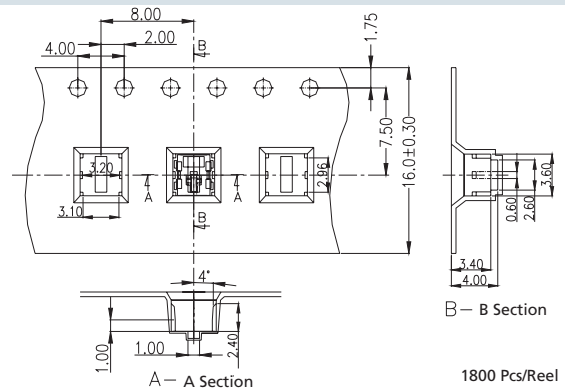
LEADFREE SOLDERING PROCESSES

- » Hand Soldering : Use a soldering iron of 30 watts, controlled at 320°C approximately 2 seconds while applying.
- » Wave Soldering : Recommended solder temperature at 260°C max. 5 seconds for through hole type.
- » Reflow Soldering: When applying reflow soldering, the peak temperature or the reflow oven should be set to 260°C max.

Reflow Temperature Profile:



TAPE & REEL PACKING



How to order:

DF45

1 POST:

- N Without Post
- P With Post

2

- no code Plastic Cover
- M Metal Cover

COVER: ●

3

- no code RoHS, Lead Free
- H RoHS, lead Free & Halogen free

MATERIALS: ●

4 PACKAGE STYLE:

- TR Tape & Reel